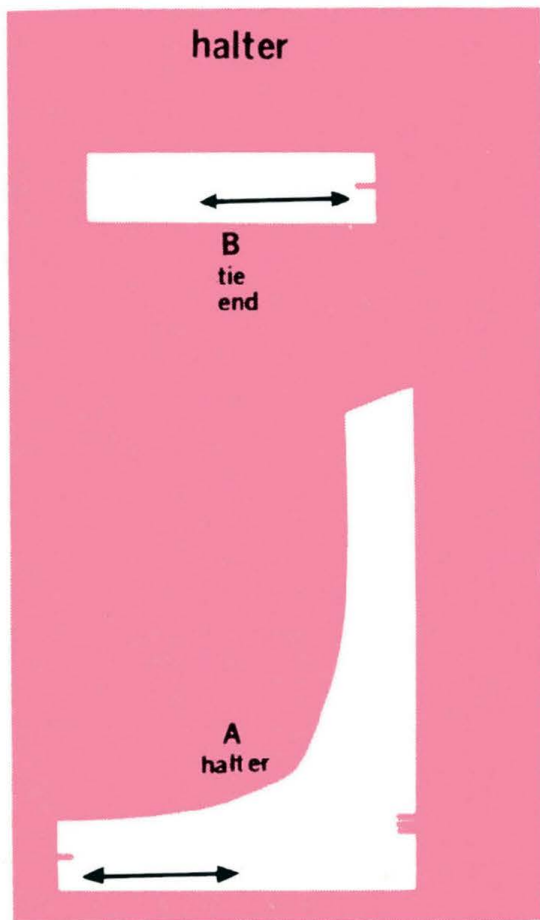
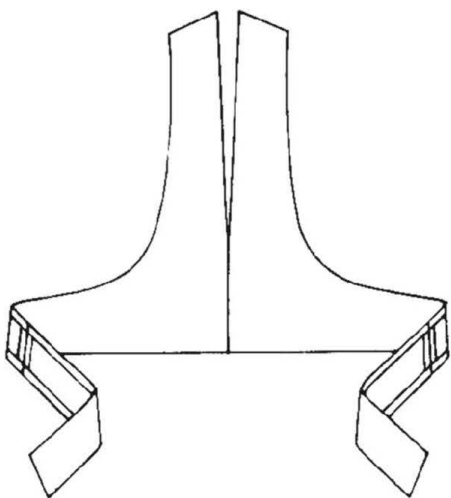


# 5555

2 PIECES GIVEN



**MISSES' JIFFY® KNIT WRAP AND TIE HALTER — (SIZED FOR STRETCH KNITS ONLY):** The wrap and tie halter with self-fabric tie ends can be worn in several different ways as shown on front of envelope. V. 1 is made of two different color fabrics. V. 2 is made all of one color fabric.

**Suggested knit fabrics:** Stretchable jersey knits of polyester, cotton, nylon, rayon or acetate such as: matte jersey, cire jersey, tricot.

## MISSES' JIFFY® KNIT WRAP AND TIE HALTER.

Metric Conversion Chart given on enclosed direction sheet.

Extra fabric is needed to match plaids, stripes or one-way designs.

Pattern sized for stretch knits only.

See "suggested knit fabrics" for types of knits.

Not suitable for bonded knits.

Fabric required

ONE SIZE

### View 1 Halter

#### Right Half of halter (one color)

44", 45", 54", 58" or 60" without nap

$\frac{3}{4}$  Yd.

#### Left Half of halter (second color)

44", 45", 54", 58" or 60" without nap

$\frac{3}{4}$  "

### View 2 Halter

44" or 45" without nap

$1\frac{1}{2}$  Yds.

54", 58" or 60" without nap

1 Yd.

**Sewing notions** — Nylon or polyester thread.