

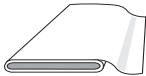
SKIRT JUPE FALDA

ABC: fitted, ajusté, ajustado

		45 ins / 114 cm						55 ins / 140 cm					
Sizes	US	10	12	14	16	18	20	10	12	14	16	18	20
Tailles Tallas	Eur.	36	38	40	42	44	46	36	38	40	42	44	46
A	yds	1¼	1¼	1¼	1¼	1¼	1¼	¾	¾	¾	¾	¾	¾
	m	1,10	1,10	1,10	1,10	1,10	1,10	0,55	0,55	0,55	0,55	0,55	0,55
		▶	▶	▶	▶	▶	▶	▶	▶	▶	▶	▶	▶
B	yds	1½	1½	1½	1½	1½	1½	1	1	1	1	1¼	1¼
	m	1,30	1,30	1,30	1,30	1,30	1,30	0,90	0,90	0,90	0,90	1,05	1,10
		▶	▶	▶	▶	▶	▶	▶	▶	▶	▶	▶	▶
C	yds	2¾	2¾	2¾	2¾	2¾	2¾	1¾	1¾	2	2	2	2
vertically striped, rayures verticales, rayas verticales	m	2,55	2,55	2,55	2,60	2,60	2,60	1,70	1,70	1,75	1,75	1,80	1,80
		★	★	★	★	★	★	★	★	★	★	★	★
A, B, C	yds	1¼	1¼	1¼	1¼	1¼	1¼	¾	¾	¾	¾	¾	¾
Lining, Doublure, Forro	m	1,10	1,10	1,10	1,10	1,10	1,10	0,55	0,55	0,55	0,55	0,55	0,55


▶ with nap avec sens con dirección

★ without nap sans sens sin dirección




Jacquard, gabardine,
lightweight wools
C: lengthwise striped
fabric

ABC:
Interfacing • triplure • entretela
36" x 4" (90 cm x 10 cm)

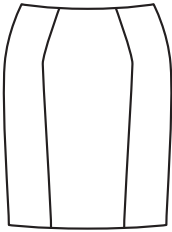


invisible • pose invisible • costura oculta



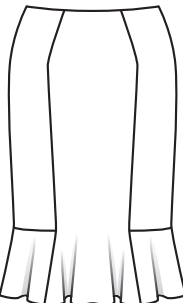
9" (22 cm)

A



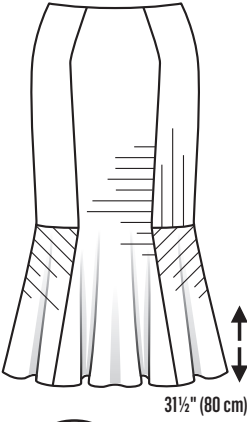
18½" (47 cm)

B




24½" (62 cm)

C



31½" (80 cm)

34¾" - 42½"
(88 - 108 cm)



69¾" - 77½"
(177 - 197 cm)

