

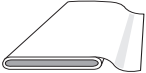
SKIRT JUPE FALDA

AB: semi-fitted, semi-ajusté, semi-ajustado

| Sizes Tailles Tallas | US Eur. | 45 ins / 114 cm | | | | | | 55 ins / 140 cm | | | | | |
|-------------------------|------------|-----------------|-----------------|-----------------|-----------------|-----------------|-----------------|-----------------|---------------|-----------------|-----------------|-----------------|-----------------|
| | | 10 36 | 12 38 | 14 40 | 16 42 | 18 44 | 20 46 | 10 36 | 12 38 | 14 40 | 16 42 | 18 44 | 20 46 |
| A | yds | 1 $\frac{1}{8}$ | 1 $\frac{1}{8}$ | 1 $\frac{1}{8}$ | 1 $\frac{1}{8}$ | 1 $\frac{1}{8}$ | 1 $\frac{1}{8}$ | $\frac{7}{8}$ | $\frac{7}{8}$ | 1 $\frac{1}{8}$ | 1 $\frac{1}{8}$ | 1 $\frac{1}{8}$ | 1 $\frac{1}{8}$ |
| | m | 1,20 | 1,20 | 1,20 | 1,20 | 1,20 | 1,20 | 0,75 | 0,75 | 0,95 | 1,20 | 1,20 | 1,20 |
| B | yds | 1 $\frac{1}{8}$ | 1 $\frac{1}{8}$ | 1 $\frac{1}{8}$ | 1 $\frac{1}{8}$ | 1 $\frac{1}{8}$ | 1 $\frac{1}{8}$ | $\frac{7}{8}$ | $\frac{7}{8}$ | 1 $\frac{1}{8}$ | 1 $\frac{1}{8}$ | 1 $\frac{1}{8}$ | 1 $\frac{1}{8}$ |
| | m | 1,40 | 1,40 | 1,40 | 1,40 | 1,40 | 1,40 | 0,80 | 0,80 | 0,95 | 1,40 | 1,40 | 1,40 |

▶ with nap avec sens con dirección

★ without nap sans sens sin dirección


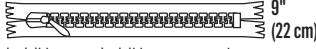


Cotton fabrics,
wool fabrics, silk, taffeta

Cotonnade, lainage,
soie, taffetas

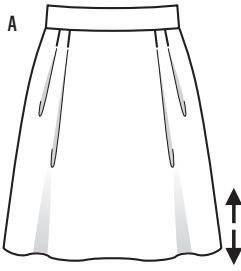
Géneros de algodón,
telas de lana, seda, tafetán

AB:
 Interfacing • triplure • entretela
A: 36" x 10" (90 cm x 25 cm)
B: 36" x 6" (90 cm x 15 cm)

invisible • pose invisible • ostura oculta

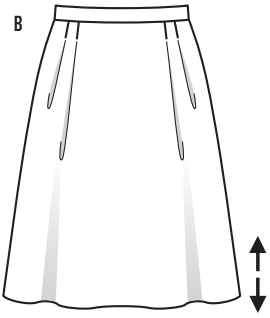
A



19" (50 cm)

45" - 52 $\frac{3}{4}$ " (114 - 134 cm)

B



24 $\frac{1}{2}$ " (62 cm)

44 $\frac{1}{4}$ " - 52" (112 - 132 cm)