

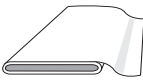
SKIRT JUPE FALDA

ABC: semi-fitted, semi-ajusté, semi-ajustado

		55 ins / 140 cm						
Sizes		US	6/8	10/12	14/16	18/20	22/24	26/28
Tailles	Tallas	Eur.	32/34	36/38	40/42	44/46	48/50	52/54
A	yds		7/8	7/8	7/8	7/8	7/8	1 1/4
	m		0,75	0,75	0,75	0,75	0,75	1,45
B	yds		7/8	1 1/8	1 1/8	1 1/8	1 1/8	1 1/4
	m		0,75	1,40	1,40	1,40	1,40	1,45
C	yds		1 3/4	1 3/4	1 3/4	1 3/4	1 3/4	1 3/4
	m		1,45	1,45	1,45	1,45	1,45	1,45

▶ with nap avec sens con dirección

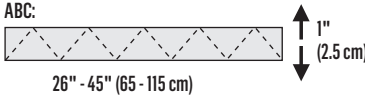
★ without nap sans sens sin dirección



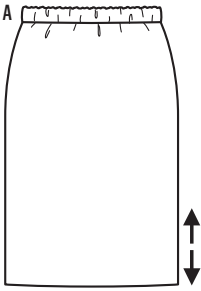
Lightweight cottons,
crêpe fabrics

Cotonnade légère,
crêpe

Telas ligeras de algodón,
géneros de crep

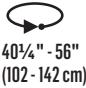


ABC:
26" - 45" (65 - 115 cm)

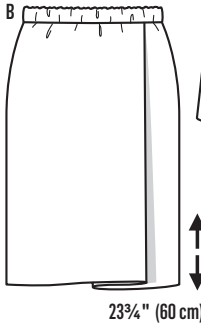


A

23 3/4" (60 cm)




40 1/4" - 56"
(102 - 142 cm)

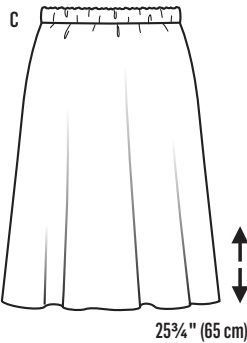


B

23 3/4" (60 cm)

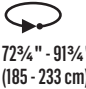


51 1/4" - 70"
(130 - 178 cm)



C

25 3/4" (65 cm)



72 3/4" - 91 3/4"
(185 - 233 cm)