


RENAISSANCE RENACIMIENTO

A: semi-fitted, semi-ajusté, semi-ajustado

		55 ins / 140 cm							
Sizes Tailles Tallas	US Eur.	10 36	12 38	14 40	16 42	18 44	20 46	22 48	24 50
A I	yds m	5½ 5.25	6¼ 6.10	6¼ 6.10	6¼ 6.10	6¼ 6.30	6¼ 6.30	7¼ 7.10	7¼ 7.10
A II	yds m	¾ 0.25	¾ 0.25	¾ 0.25	¾ 0.25	¾ 0.25	¾ 0.25	¾ 0.25	¾ 0.25
A III	yds m	½ 0.35	½ 0.35	½ 0.35	½ 0.35	½ 0.35	½ 0.35	½ 0.35	½ 0.35
A IV	yds m	1¼ 1.10	1¼ 1.10	1¼ 1.10	1¼ 1.10	1¼ 1.10	1¼ 1.10	1¼ 1.10	1¼ 1.10
B I	yds m	¾ 0.15	¾ 0.15	¾ 0.15	¾ 0.15	¾ 0.15	¾ 0.15	¾ 0.15	¾ 0.15
B II	yds m	¾ 0.50	¾ 0.50	¾ 0.50	¾ 0.50	¾ 0.50	¾ 0.50	¾ 0.50	¾ 0.50

▶ with nap avec sens con dirección

★ without nap sans sens sin dirección

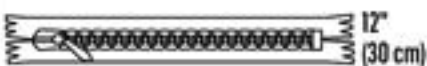


A I, B I: Velvet
A II, A III: Velvet, lamé
A IV: Brocade
B II: Net fabric

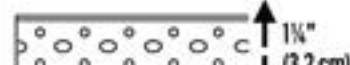
A I, B I: velours
A II, A III: satin, lamé
A IV: brocart
B II: filet

A I, B I: Terciopelo
A II, A III: satén, lamé
A IV: brocado
B II: tela de rejilla

A:
Interfacing • triplure • entretela
36" x 12"
(90 cm x 30 cm)




12" (30 cm)




1¼" (3.2 cm)
5 - 7 yds (4.50 - 6.30 m)

Soutache
5 - 6¼ yds (4.50 - 6.00 m)




Dacron stuffing • Ouatine en dacron • Guata dacron

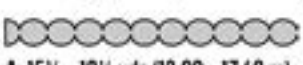


2¼ - 2½ yds
(1.90 - 2.60 m)

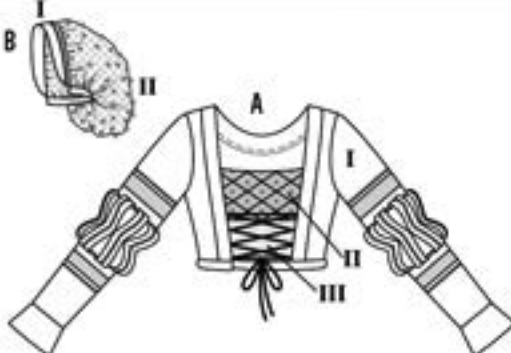
Grosgrain ribbon
Ruban de reps
Cinta de reps
3 yds (2.70 m)



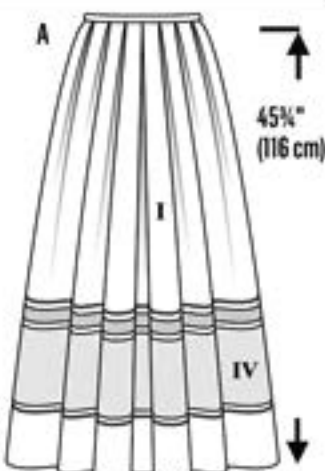
¾" (1 cm)

AB:  ¾" (1 cm)
A: 15¼ - 19½ yds (13.60 - 17.40 m)
B: 20" (50 cm)

Beads • Perles • Perlas



150" - 213" (3.80 - 5.40 m)



45¼" (116 cm)