

*Designer  
Topaz™ 25*

User's Guide



This household sewing machine is designed to comply with IEC/EN 60335-2-28 and UL1594.

## **IMPORTANT SAFETY INSTRUCTIONS**

When using an electrical appliance, basic safety precautions should always be followed, including the following:

Read all instructions before using this household sewing machine. Keep the instructions at a suitable place close to the machine. Make sure to hand them over if the machine is given to a third party.

### **DANGER – To reduce the risk of electric shock:**

- A sewing machine should never be left unattended when plugged in. Always unplug this sewing machine from the electric outlet immediately after using and before cleaning, removing covers, lubricating or when making any other user servicing adjustments mentioned in the instruction manual.

### **WARNING – To reduce the risk of burns, fire, electric shock, or injury to person:**

- Do not allow to be used as a toy. Close attention is necessary when this sewing machine is used by or near children.
- Use this sewing machine only for its intended use as described in this manual. Use only attachments recommended by the manufacturer as contained in this manual.
- Never operate this sewing machine if it has a damaged cord or plug, if it is not working properly, if it has been dropped or damaged, or dropped into water. Return the sewing machine to the nearest authorized dealer or service center for examination, repair, electrical or mechanical adjustment.
- Never operate the sewing machine with any air openings blocked. Keep ventilation openings of the sewing machine and foot control free from the accumulation of lint, dust, and loose cloth.
- Keep fingers away from all moving parts. Special care is required around the sewing machine needle.
- Always use the proper needle plate. The wrong plate can cause the needle to break.
- Do not use bent needles.
- Do not pull or push fabric while stitching. It may deflect the needle causing it to break.
- Wear safety glasses.
- Switch the sewing machine off (“0”) when making any adjustment in the needle area, such as threading needle, changing needle, threading bobbin, or changing presser foot, etc.
- Never drop or insert any object into any opening.
- Do not use outdoors.
- Do not operate where aerosol (spray) products are being used or where oxygen is being administered.
- To disconnect, turn all controls to the off (“0”) position, then remove plug from outlet.
- Do not unplug by pulling on cord. To unplug, grasp the plug, not the cord.
- The foot control is used to operate the machine. Avoid placing other objects on the foot control.
- Do not use the machine if it is wet.
- If the LED lamp is damaged or broken, it must be replaced by the manufacturer or its service agent or a similarly qualified person, in order to avoid a hazard.
- If the supply cord connected with the foot control is damaged, it must be replaced by the manufacturer or its service agent or a similarly qualified person, in order to avoid a hazard.
- This sewing machine is provided with double insulation. Use only identical replacement parts. See instructions for Servicing of Double-Insulated Appliances.

## **SAVE THESE INSTRUCTIONS**

## **FOR EUROPE ONLY:**

This appliance can be used by children aged from 8 years and above and persons with reduced physical, sensory or mental capabilities or lack of experience and knowledge if they have been given supervision or instruction concerning use of the appliance in a safe way and understand the hazards involved. Children shall not play with the appliance. Cleaning and user maintenance shall not be made by children without supervision.

The noise level under normal operating conditions is less than 75dB(A).

The machine must only be used with foot control of type “FR2” manufactured by Shanghai Bioao Precision Mould Co., Ltd.

## **FOR OUTSIDE EUROPE:**

This sewing machine is not intended for use by persons (including children) with reduced physical, sensory or mental capabilities, or lack of experience and knowledge, unless they have been given supervision or instruction concerning use of the sewing machine by a person responsible for their safety. Children should be supervised to ensure that they do not play with the sewing machine.

The noise level under normal operating conditions is less than 75dB(A).

The machine must only be used with foot control of type “FR2” manufactured by Shanghai Bioao Precision Mould Co., Ltd.

## **SERVICING OF DOUBLE INSULATED PRODUCTS**

In a double-insulated product, two systems of insulation are provided instead of grounding. No ground means is provided on a double-insulated product, nor should a means for grounding be added to the product. Servicing of a double-insulated product requires extreme care and knowledge of the system and should be done only by qualified service personnel. Replacement parts for a double-insulated product must be identical to those parts in the product. A double-insulated product is marked with the words ‘DOUBLE INSULATION’ or ‘DOUBLE INSULATED’.



## CONTENTS

### OVERVIEW

Machine overview	4
Included accessories	5
Presser feet	6
Stitch table – Utility Stitches	8
Stitch overview	10
Fonts	10

### SET UP

Unpacking	12
Connect the power cord and foot control	12
USB port	13
Packing away after sewing	13
Using the free arm	13
Spool pins and spool caps	14
Threading the upper thread	15
Needle threader	16
Cutting the thread	16
Threading for twin needle	17
Winding the bobbin with the machine threaded	18
Winding the bobbin using the vertical spool pin	18
Winding the bobbin using the auxiliary spool pin	19
Inserting the bobbin	19
Thread tension	20
Thread sensor	20
Lower the feed teeth	21
Changing the presser foot	21
Changing the needle	21
Needles	22
Threads	23
Stabilizers	23
PICTOGRAM™ Pen	23
Complimentary software (PC)	24
How to update your machine	24

### SETTINGS & FUNCTION BUTTONS

Function buttons	26
EXCLUSIVE SENSOR SYSTEM™	27
Functions on the touch panel	28
SET Menu	30

### SEWING MODE

Overview	34
Selecting a stitch	35
Selecting a font	35
Exclusive SEWING ADVISOR™	36
Stitch Settings	37
Programming	39
My Stitches Menu	42
Sewing pop-up messages	43

## SEWING TECHNIQUES

47-60

Basic Sewing Techniques	48
Seam.....	48
Overcast.....	49
Seam and Overcast .....	50
Baste.....	51
Blind Hem.....	51
Hem .....	52
Jeans Hem .....	52
Sewing buttonholes .....	53
Sewing on buttons .....	55
Sewing zippers.....	56
Darning and Mending.....	57
Bartack (manual) .....	57
Quilting	58
Specialty Stitches	59
Smocking Stitches	60

### EMBROIDERY SET UP

61-66

Embroidery unit overview	62
Embroidery hoop overview	62
Designs	62
Download backup designs.....	62
Connect the embroidery unit	63
Remove the embroidery unit	63
Attach the embroidery foot R	63
To hoop the fabric	64
Slide on/off the hoop	64
Getting started embroidering	65

### EMBROIDERY MODE

67-76

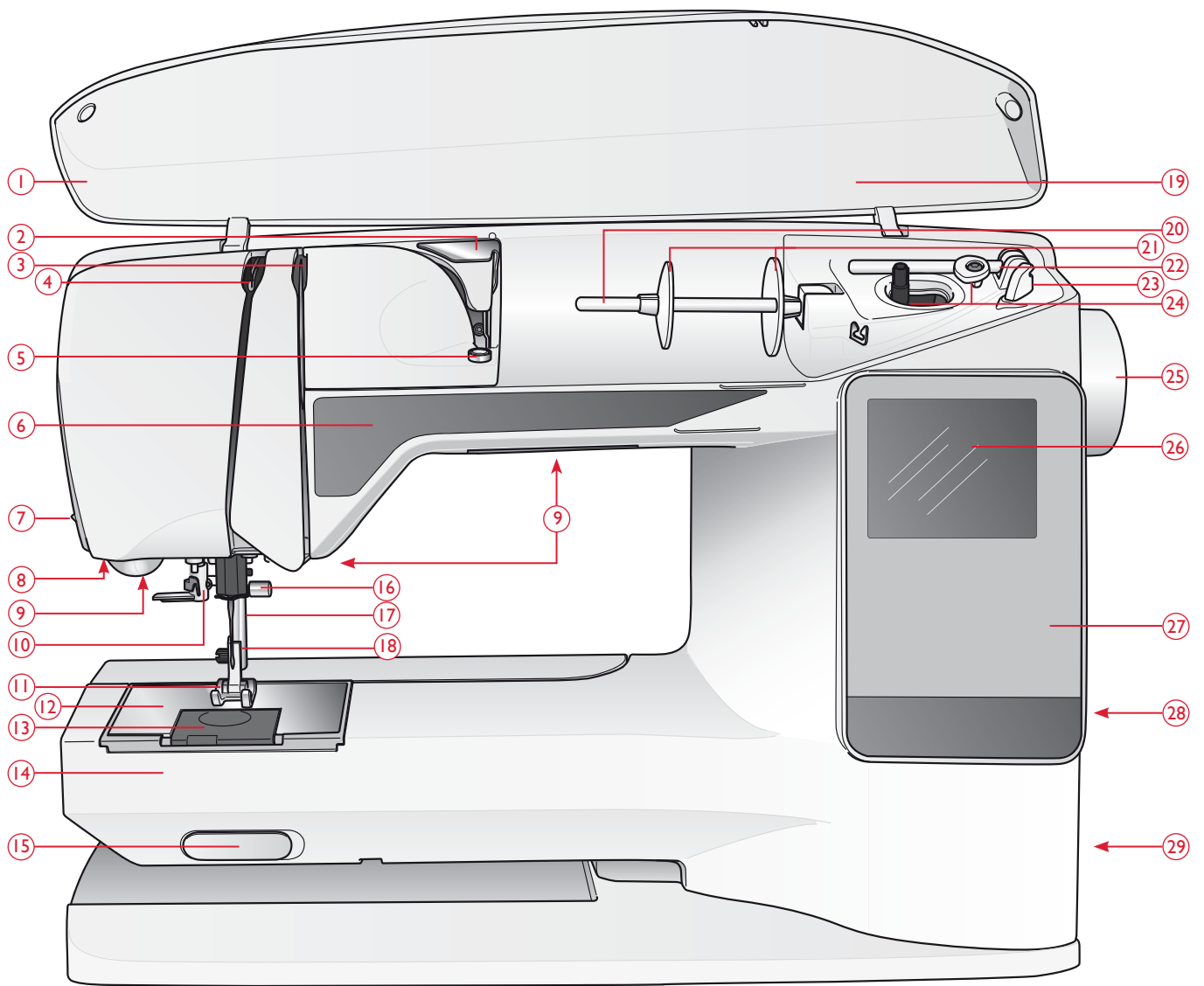
Embroidery Mode overview	68
Load a design	69
Load a font	69
Embroidery information	70
Adjust designs	71
Hoop options	72
Embroidery functions	73
Embroidery pop-up messages	74

### TAKING CARE OF YOUR MACHINE

77-80

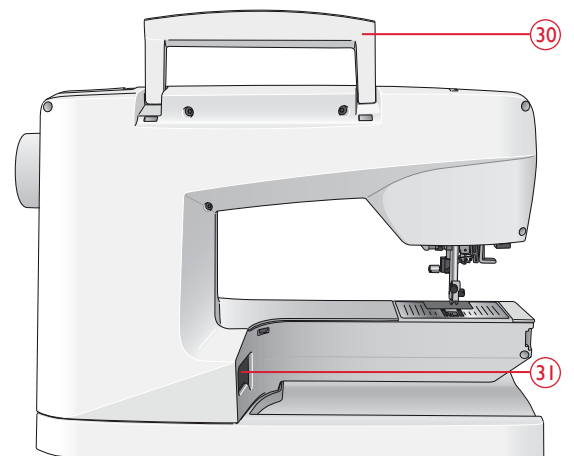
Cleaning the machine	78
Trouble shooting	79

Index	81
Intellectual property	85



## MACHINE OVERVIEW

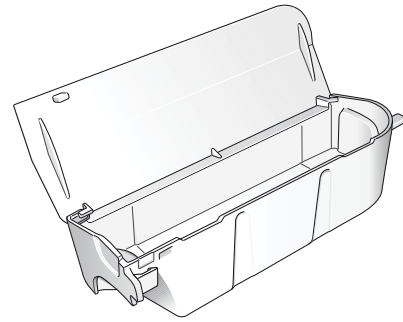
- |   |  |   |
|---|--|---|
| 1. Lid                                    | 14. Free arm                           | 27. Function Panel  |
| 2. Pre-tension thread guide               | 15. Drop feed teeth switch             | 28. Built-In USB port   |
| 3. Thread tension discs                   | 16. Needle bar with needle clamp screw | 29. ON/OFF switch, connectors for power cord and foot control |
| 4. Thread take-up lever                   | 17. Presser bar                        | 30. Handle  |
| 5. Thread tension for bobbin winding      | 18. Presser foot ankle                 | 31. Embroidery unit connection socket                         |
| 6. Function Panel                         | 19. Stitch overview                    |   |
| 7. Thread cutter                          | 20. Spool pin                          |   |
| 8. Sensor One-Step Buttonhole Foot socket | 21. Spool caps                         |   |
| 9. LED-lights                             | 22. Auxiliary spool pin                |   |
| 10. Needle threader                       | 23. Thread cutter for bobbin thread    |   |
| 11. Presser foot                          | 24. Bobbin spindle, Bobbin stop        |   |
| 12. Stitch plate                          | 25. Handwheel                          |   |
| 13. Bobbin cover                          | 26. GraphicDisplay                     |   |



## ACCESSORY BOX

Store presser feet, bobbins, needles and other accessories in the accessory box so that they are easily accessible.

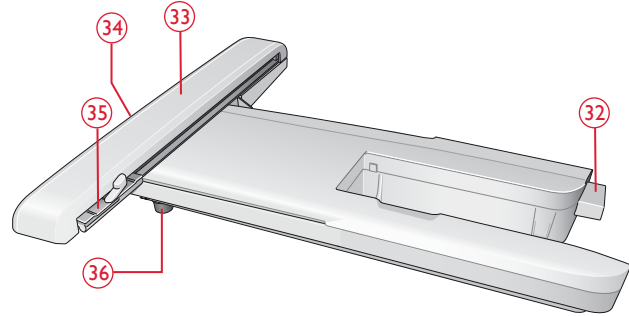
Keep the accessory box on the machine to provide a larger, flat work surface.



## EMBROIDERY UNIT OVERVIEW

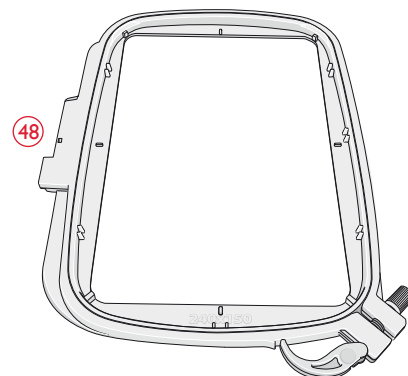
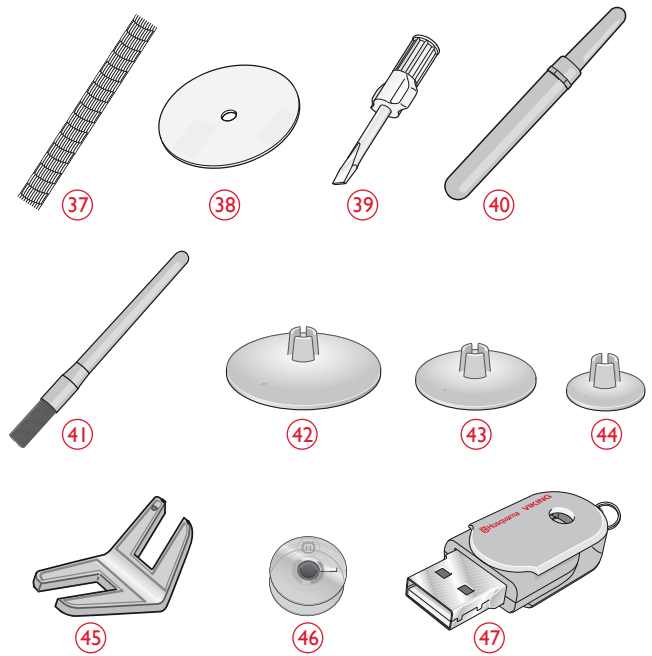
(Type BE19)

- 32. Embroidery unit socket
- 33. Embroidery arm
- 34. Embroidery unit release button (underside)
- 35. Embroidery hoop attachment
- 36. Level adjustment feet



## INCLUDED ACCESSORIES

- 37. Thread net (2)
- 38. Felt pad (2)
- 39. Screwdriver
- 40. Seam ripper
- 41. Brush
- 42. Spool cap, large  
(attached on the machine at delivery)
- 43. Spool cap, medium  
(attached on the machine at delivery)
- 44. Spool cap, small
- 45. Multipurpose tool/Button reed
- 46. 6 Bobbins (1 in machine at delivery)
- 47. USB embroidery stick (1 GB)
- 48. DESIGNER™ Jewel Hoop (240x150)



## ACCESSORIES INCLUDED - Not in the Picture

- Software to download
- Carrying Case (attached on the machine upon delivery)
- Foot control
- Power cord
- Needles
- Embroidery thread
- Pieces of fabric and stabilizer
- DESIGNER TOPAZ™ 25 Sampler book
- Warranty card

## PRESSER FEET



### Utility Foot A

Attached on the machine upon delivery. This foot is used mainly for straight stitching and zigzag stitching with a stitch length longer than 1.0.



### Utility Foot B

When sewing decorative stitches or short zigzag stitches and other utility stitches with less than 1.0 mm stitch length, use this foot. The tunnel on the underside of the foot is designed to feed smoothly over the stitches.



### Buttonhole Foot C

This foot is used for sewing buttonholes step by step. Use the guide lines on the toe of the foot to position the garment edge. The two tunnels on the bottom of the foot ensures a smooth feed over the buttonhole columns. The finger on the back of the foot holds cording for corded buttonhole.



### Blind Hem Foot D

This foot is used for blind hem stitches. The inner edge of this foot guides the fabric. The right toe of the foot is designed to ride along the hem edge.



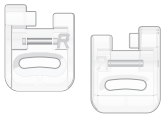
### Zipper Foot E

This foot can be snapped on either to the right or to the left of the needle, making it easy to sew close to both sides of the zipper teeth. Move needle position to right or left to sew closer to zipper teeth or for covering large cording.



### Edging Foot J

This foot is used for overcasting and seam/overcasting. Stitches form over the pin which prevents puckering at the edge of the fabric.



### Embroidery/Darning Foot R

This foot is used for free motion embroidery/quilting/stitching and hoop embroidery.



### Sensor One-Step Buttonhole Foot

When connected to the machine, the buttonhole is sewn in a suitable length to the button size that has been entered into the machine.



































### Glide Sole

If sewing on foam, vinyl, plastic, or leather, the material might stick to the foot and prevent the sewing machine from feeding properly. When using any of the above materials, sew on a piece of scrap fabric, to make sure the machine feeds smoothly. If not, fasten the self-adhesive glide soles to the underside of the presser foot.



## STITCH TABLE – UTILITY STITCHES

Stitch	Stitch No.	Stitch Name	Presser Foot	Application
	0	Bartack Buttonhole	Sensor One-Step Buttonhole Foot/C	Standard buttonhole for most fabric weights.
	1	Straight Stitch, center needle position	A/B	For all types of sewing. Select 29 different needle positions.
	2	Stretch Stitch, left needle position	A/B	For seams in tricot and stretch fabric.
	3	Reinforced Straight Stitch, center needle position	A/B	For seams which are subject to considerable strain. Triple and elastic, for reinforced seams. Use to reinforce and topstitch sportswear and working clothes. For topstitch, increase the stitch length.
	4	Three-Step Zigzag	A/B	For mending, sewing on patches and elastics. Suitable for light and medium weight fabric..
	5	Zigzag	A/B	For appliqué work, lace edging, sewing on bands etc. Stitch width increases equally to the left and right.
	6	Flatlock Stitch	B	Decorative hems and overlapped seams, belts and bands. For medium/heavy stretch fabrics.
	7	Overcast Stitch	J	Seam and overcast in one step along the edge or trim later. For light stretch and non-stretch fabrics.
	8	Stretch Seam Overcast Stitch	B	Seam and overcast in one step along the edge or trim later. For medium and medium/heavy stretch fabrics.
	9	Automatic Button Sewing	No presser foot	For sewing on buttons. Set the number of stitches on the GraphicDisplay.
	10	Two-Step Zigzag	A/B	For joining two pieces of fabric with finished edges and for elastic shirring.
	11	Reinforced Zigzag	B	For joining fabric edge to edge or overlapping on leather. For decorative sewing.
	12	Baste Stitch	A/B	For joining two pieces of fabric with a long stitch length.
	13	Double Overlock Stitch	B	Seam and overcast in one step along the edge or trim later. For heavy stretch and heavy woven fabrics.
	14	Overlock Stitch	B	Seam and overcast in one step along the edge or trim later. For medium stretch fabrics.
	15	Elastic/Casing Stitch	B	For overlapped seams on tricot. To sew casing over narrow elastic.
	16	Elastic Stitch or Smocking	A/B	Sew over two rows of elastic thread for elastic shirring.
	17	Stretch Blind Hem Stitch	D	Blind hems in medium and heavy stretch fabrics.
	18	Woven Blind Hem	D	Blind hems in medium and heavy woven fabrics.

Stitch	Stitch No.	Stitch Name	Presser Foot	Application
	19	Bridging Stitch	A/B	For joining two pieces of fabric with finished edges and for elastic shirring.
	20	Darning Stitch	A/B	Darn and mend small holes in work clothes, jeans, tablecloths and more. Stitch over the hole, press reverse for continuous darning and auto stop.
	21	Bartack (manual)	A/B	Reinforce pockets, shirts openings, belt loops as well as at lower end of a zipper.
	22	Round End Buttonhole	Sensor One-Step Buttonhole Foot/C	For blouses and children's garments.
	23	Medium Reinforced Buttonhole	C	For medium and heavy fabrics
	24	Heirloom Buttonhole	Sensor One-Step Buttonhole Foot/C	For "hand look" on fine and delicate fabrics. <i>Tip: For jeans buttonholes, increase length and width of the buttonhole. Use thicker thread.</i>
	25	Keyhole Buttonhole	Sensor One-Step Buttonhole Foot/C	For tailored jackets, coats, etc.
	26	Heavy Duty Buttonhole	Sensor One-Step Buttonhole Foot/C	With reinforced bartacks.
	27	Leather Straight Stitch Buttonhole	A/B	For leather and suede.
	28	Eyelet	B	For belts, laces, etc.
	29	Satin stitch, narrow	B	For appliqués, sewing on laces and trims. For light and medium fabrics.
	30	Satin stitch, medium	B	For appliqués, sewing on laces and trims. For light and medium fabrics.
	31	Satin stitch, wide	B	For appliqués, sewing on laces and trims. For heavy fabrics.

# STITCH OVERVIEW

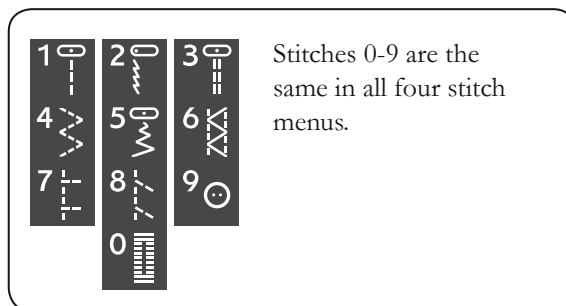


Menu 1: Utility Stitches

Menu 2: Quilt Stitches

Menu 3: Satin and Heirloom Stitches

Menu 4: Decorative Stitches



## FONTS

### BLOCK

*A B C D E F G H I J K L M N O P Q*  
*a b c d e f g h i j k l m n o p q*  
*1 2 3 4 5 6 7 8 9 0 Æ æ Ø ø à*

*R S T U U V W X Y Z Ä Å Ö - , \_*  
*r s t u ü v w x y z å ä ö @ . , \_*  
*á ç ë è é ê í ó ù ú Ñ ñ ß & ? ! ' . \_*

### CYRILLIC AND HIRAGANA

Russian and Japanese fonts. See the fonts on the GraphicDisplay of your sewing machine.

## SET UP

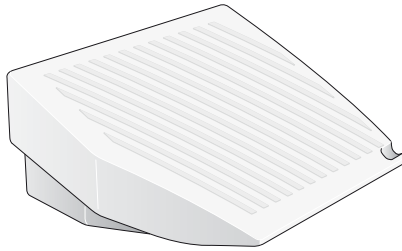
This section of the User's Guide will help you get started with your machine. Learn how to thread your machine, wind the bobbin, change needle and presser foot and how to install your software.



## UNPACKING

1. Place the machine on a sturdy, flat surface, remove the packaging and lift off the cover.
2. Remove the packing material and the foot control.
3. The machine is delivered with an accessory bag, a power cord and a foot control cord.
4. Wipe the machine, particularly around the needle and stitch plate to remove any soil before sewing.

*Note: Your HUSQVARNA VIKING® DESIGNER TOPAZ™ 25 sewing and embroidery machine is adjusted to provide the best stitch result at normal room temperature. Extreme hot and cold temperatures can affect the sewing result.*



## CONNECTING THE FOOT CONTROL CORD

Among the accessories you will find the foot control cord and the power cord. Connecting the foot control cord to the foot control is only necessary the very first time you are going to use the machine.

1. Take out the foot control cord. Turn the foot control over. Connect the cord to the socket inside the space of the foot control. Push firmly to make sure it is properly connected.
2. Lay the cord in the slot on the underside of the foot control.



## CONNECT THE POWER CORD AND FOOT CONTROL

On the underside of the machine you will find information about the power supply voltage (V) and the frequency (Hz).

*Note: Before plugging in the foot control, check to ensure that it is of type “FR2” (see underside of foot control).*

1. Connect the foot control cord to the front socket on the bottom right side of the machine (1).
2. Connect the power cord to the rear socket on the bottom right side of the machine (2).
3. Press the ON/OFF switch to “I” to turn on power and light (3).



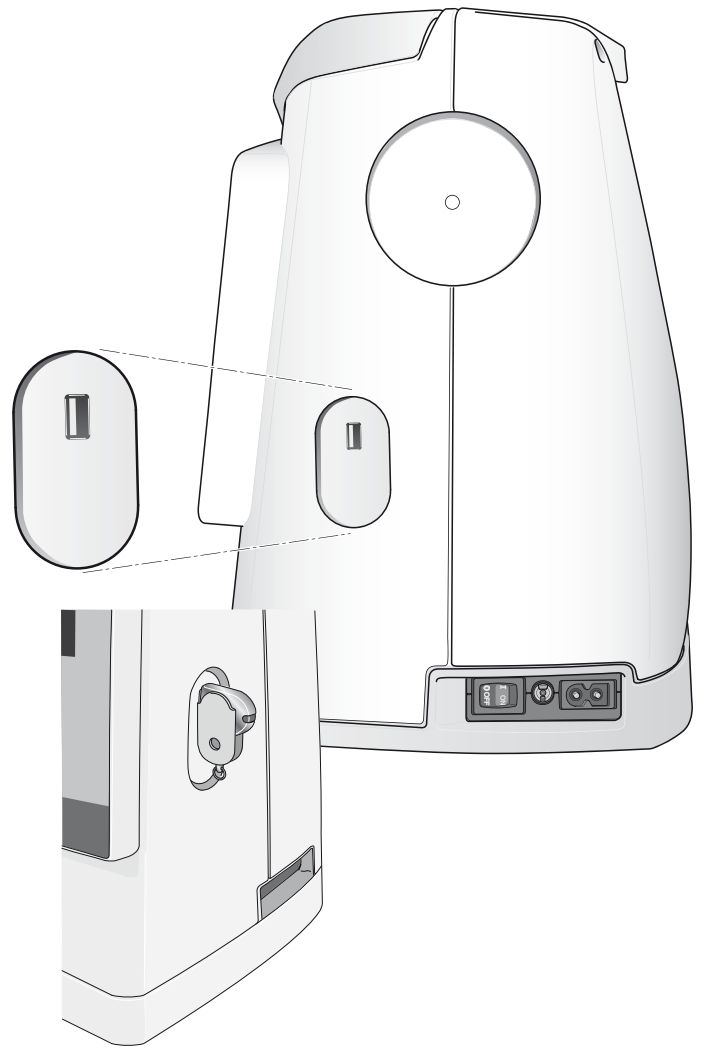
### For the USA and Canada

This sewing machine has a polarized plug (one blade wider than the other). To reduce the risk of electric shock, this plug is intended to fit in a polarized outlet only one way. If the plug does not fit fully in the outlet, reverse the plug. If it still does not fit, contact a qualified electrician to install the proper outlet. Do not modify the plug in any way.

## USB PORT

On the right side of your machine you will find a USB port to connect your USB stick.

*Note: Make sure that the USB stick you use has the format FAT32.*



## CONNECT TO AND REMOVE FROM USB PORT

Insert the USB stick in the USB port on the right side of your machine. The USB plug can only be inserted one way - do not force it into the port!

To remove, carefully pull the USB stick out straight.

## PACKING AWAY AFTER SEWING

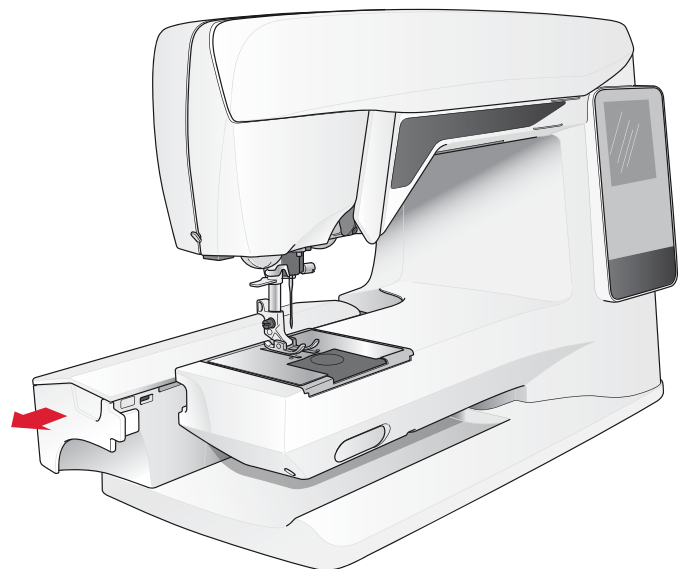
1. Press the ON/OFF switch (3) to “O”.
2. Unplug the cord from the wall socket and then from the machine.
3. Unplug the foot control cord from the machine. Wind the foot control cord and place it inside the space on the underside of the foot control.
4. Check to ensure that all accessories are in the accessory box. Slide the box on to the machine, behind the free arm.
5. Place the foot control in the space above the free arm.
6. Put on the cover.

## USING THE FREE ARM

Slide the accessory box to the left when you wish to remove it and use the free arm.

Use the free arm to facilitate sewing trouser legs and sleeve hems.

To replace the accessory box, slide it onto the machine until it fits in place.



## SPOOL PINS AND SPOOL CAPS

Your sewing machine has two spool pins, a main spool pin and an auxiliary spool pin. The spool pins are designed for all types of thread. The main spool pin is adjustable and can be used in a horizontal position (the thread reels off the stationary spool) or in a vertical position (the thread spool rotates). Use the horizontal position for all regular sewing threads and the vertical position for large spools or specialty threads.

### HORIZONTAL POSITION

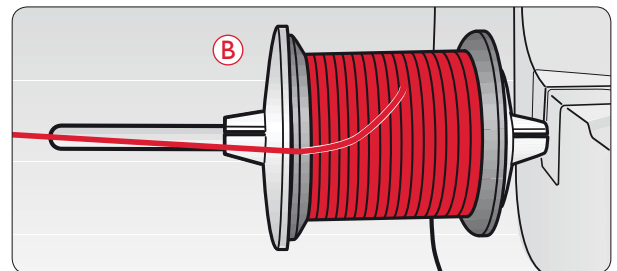
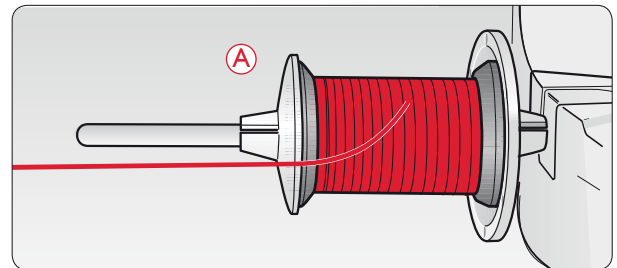
Lift the spool pin up slightly from its horizontal position to easily place the thread spool on the pin. The thread should reel over the top, in a counterclockwise direction, as shown in the picture. Slide on a spool cap and then move the spool pin back to the horizontal position.

Each machine comes with two spool caps on the spool pin. For medium sized thread spools, the medium sized cap (A) is placed in front of the spool. For large thread spools, the large cap (B) is placed in front of the spool.

The flat side of the spool cap should be pressed firmly against the spool. There should be no space between spool cap and thread spool.

A small spool cap is included as an accessory for your machine. The small spool cap can be used for small thread spools.

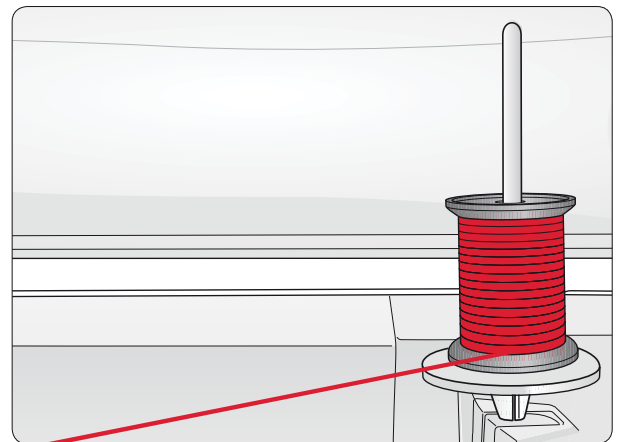
*Note: Not all thread spools are manufactured in the same way. If you experience problems with the thread, turn it in the opposite way or use the vertical position.*



### VERTICAL POSITION

Lift the spool pin up and all the way to the right. Lock the spool pin in the vertical position by slightly pressing it down. Slide on the large spool cap. For spools smaller than the medium size spool cap or when using specialty threads, place a felt pad under the thread spool to prevent the thread from reeling off too fast. For larger spools, the felt pad is not needed.

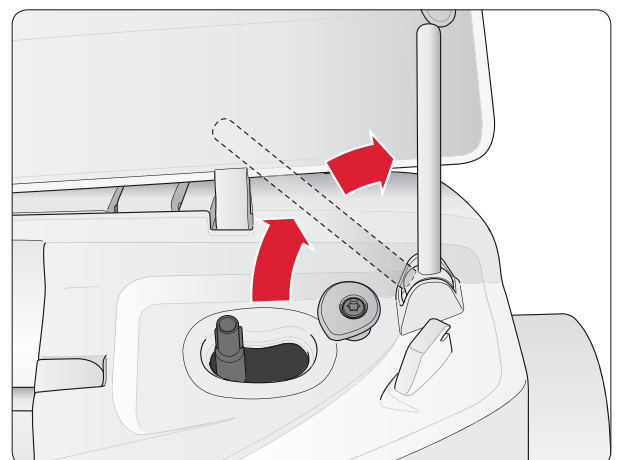
*Note: No spool cap should be placed on top of the spool as this prevents the spool from rotating.*

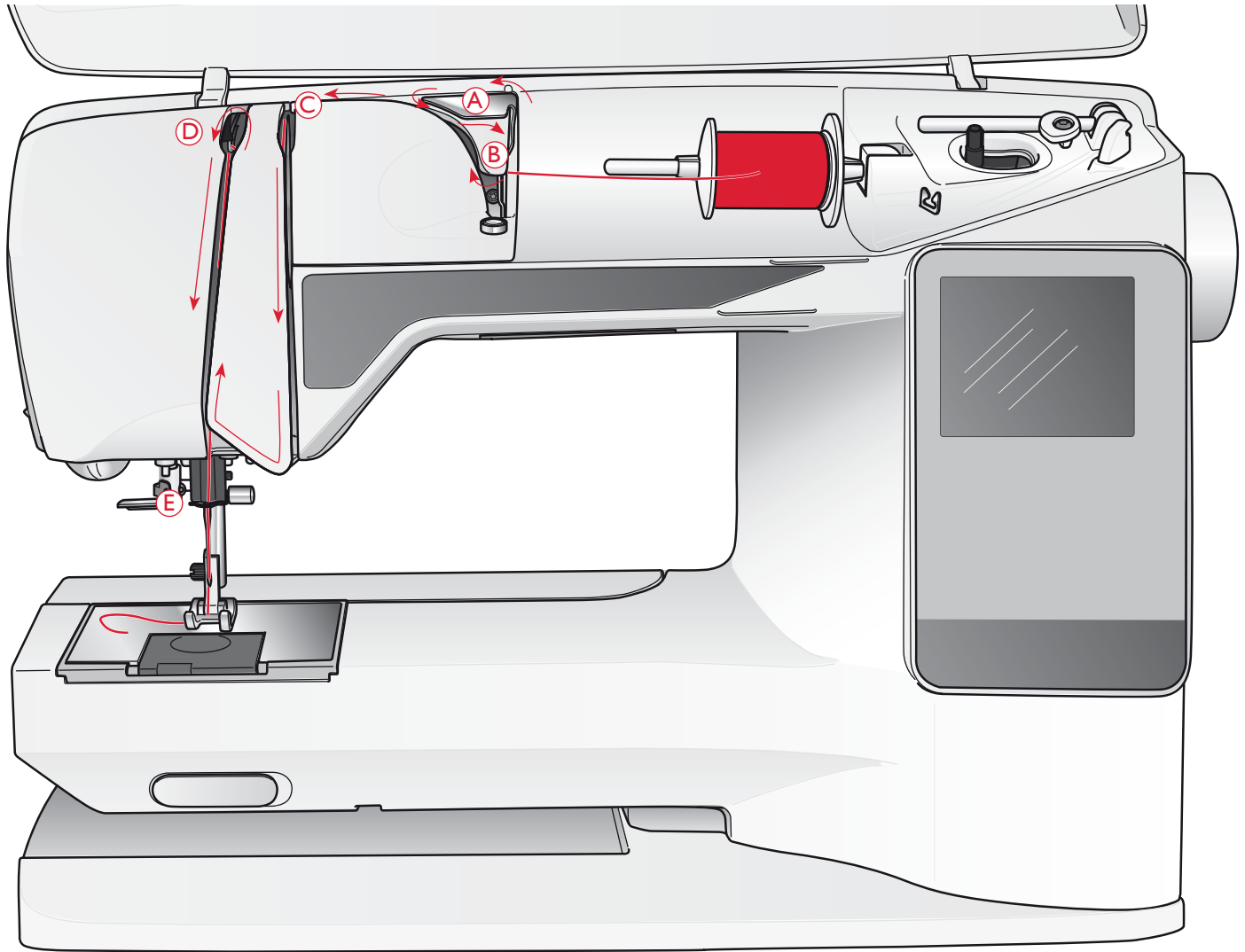


### AUXILIARY SPOOL PIN

The auxiliary spool pin is used when winding a bobbin from a second spool of thread or for a second spool when sewing with a twin needle.

Lift the auxiliary spool pin up and to the right. Slide on a spool cap. For spools smaller than the medium size spool cap, place a felt pad under the thread spool to prevent the thread from reeling off too fast. For larger spools, the felt pad should not be used.





## THREADING THE UPPER THREAD

Make sure the presser foot is raised and the needle is in the up position

 Press the ON/OFF switch to "O".

1. Place the thread on the spool pin and the spool cap on the spool pin as described on page 14.
2. *Spool pin in horizontal position:*  
Bring the thread over and behind the pre-tension thread guide (A) and under the thread guide (B).  
*Spool pin in vertical position:*  
Instead of bringing the thread into the pre-tension guide (A), bring it directly under the thread guide (B).
3. Bring the thread down between the thread tension discs (C).
4. Continue threading in the direction indicated by the arrows. Bring the thread from the right into the slot on the take-up lever (D).
5. Take the thread down and behind the last guide just above the needle (E).

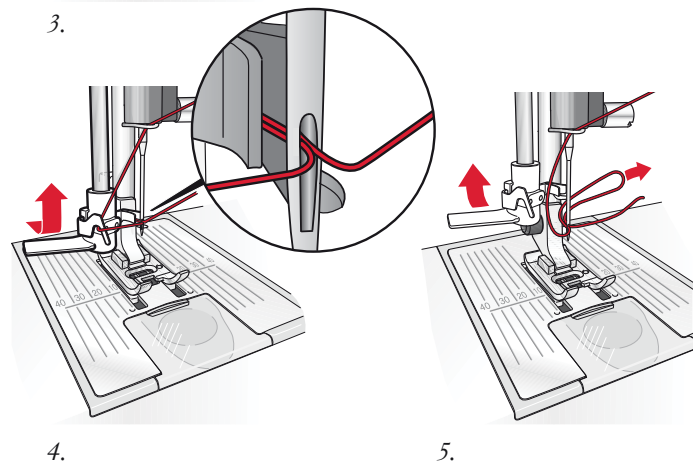
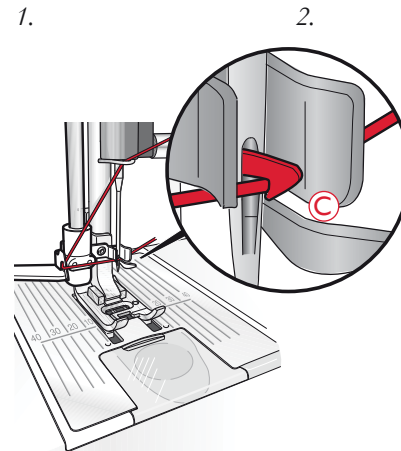
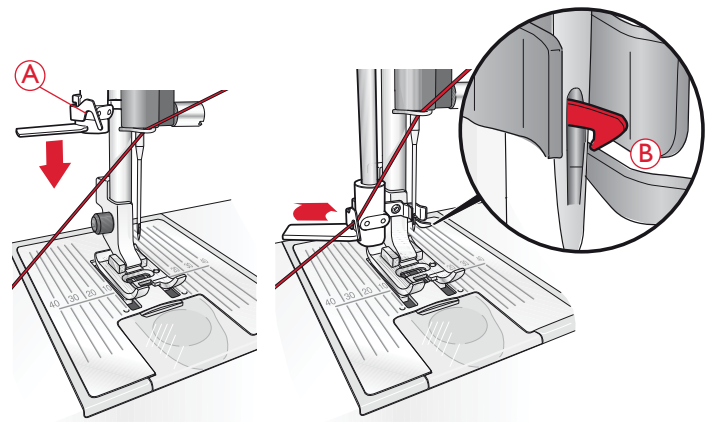
## NEEDLE THREADER

The needle must be in the up position to use the built-in needle threader. We also recommend lowering the presser foot.

1. Use the handle to pull the needle threader all the way down, catching the thread under the guide (A).
2. Push back to bring the needle threader forward until the metal flanges cover the needle. A small hook will pass through the needle eye (B).
3. Place the thread under the flanges in front of the needle, so the thread catches into the small hook (C).
4. Let the needle threader gently swing back. The hook pulls the thread through the needle eye and forms a loop behind the needle.
5. Pull the thread loop out behind the needle. Place the thread under the presser foot.

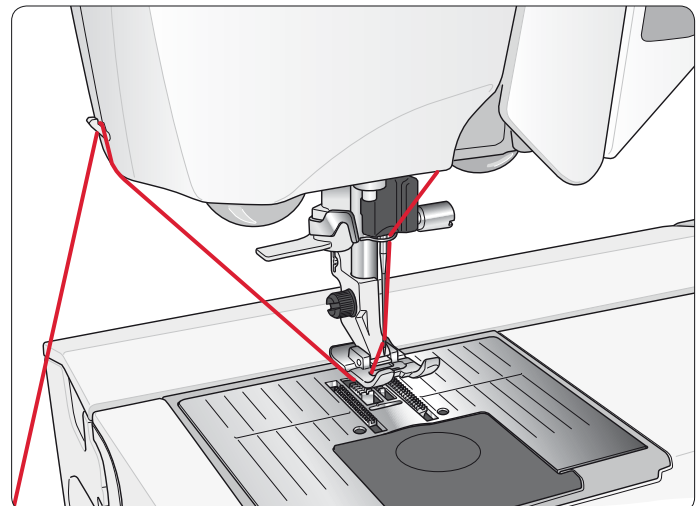
*Note: The needle threader is designed to be used for size 70-120 needles. You cannot use the needle threader for size 60 needles or smaller, the wing needle, twin needle, triple needle or when the Sensor One-Step Buttonhole Foot is on. There are also some other optional accessories that require manual threading of the needle.*

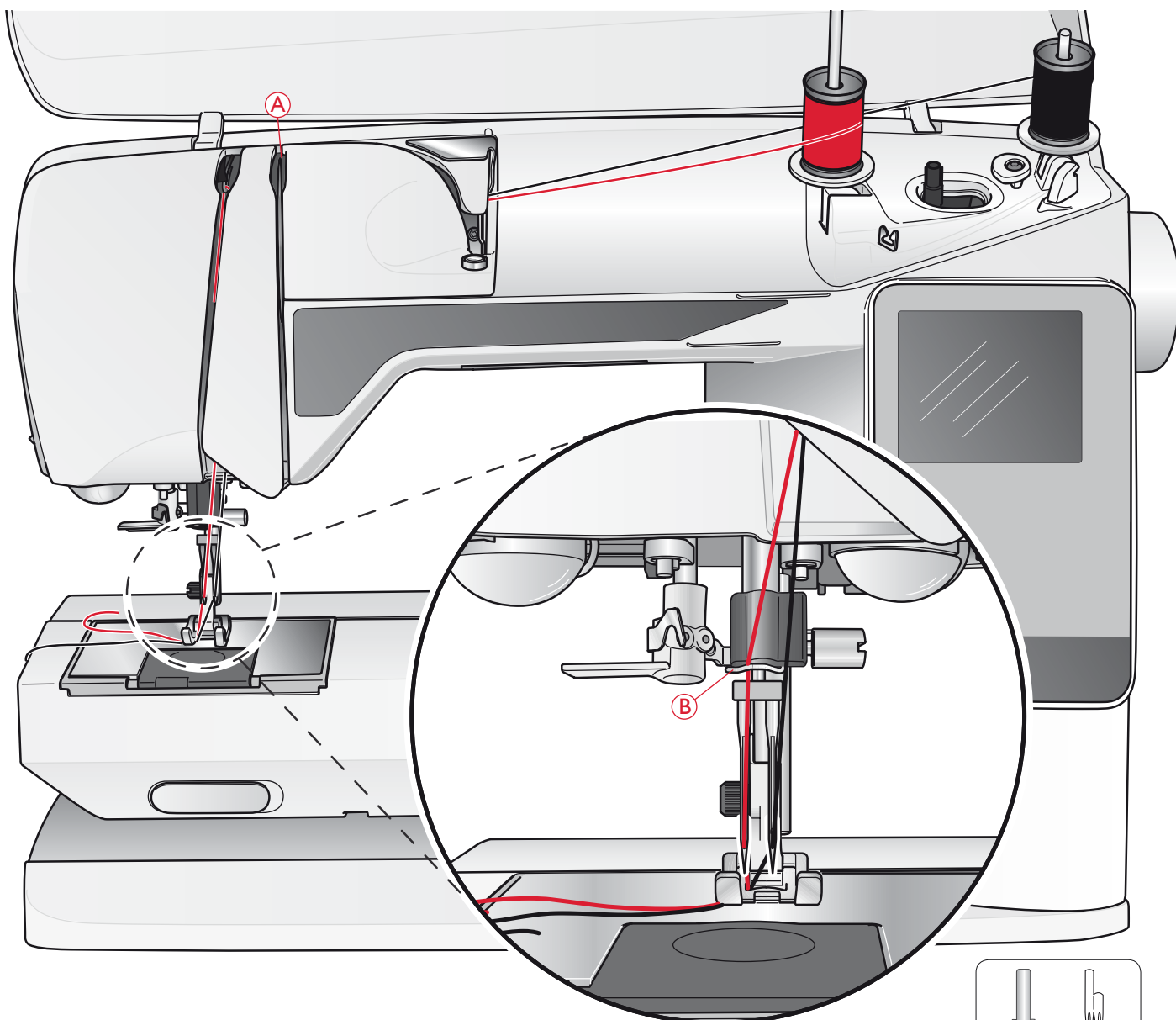
When threading the needle manually, make sure that the needle is threaded from front to back. The white presser foot ankle makes it easy to see the eye of the needle. The bobbin case cover can be used as a magnifying glass.



## CUTTING THE THREAD

Once you have finished sewing, cut the threads by raising the presser foot and pulling the threads from the front to the back into the thread cutter on the left side of the machine.



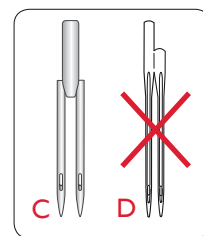


## THREADING FOR TWIN NEEDLE

 Press the ON/OFF switch to “O”.

1. Insert a twin needle.
2. Use a second thread spool or wind a bobbin with the thread you are going to use as the second upper thread.
3. Lift the spool pin up and all the way to the right. Lock the spool pin in the vertical position by slightly pressing it down. Slide on a spool cap. For spools smaller than the medium size spool cap, place a felt pad under the thread spool.
4. Place the first thread spool on the spool pin. The spool should rotate in a *clockwise* direction when the thread reels off the spool.
5. *Left needle:* Thread the machine as described on page 15. Check to ensure that the thread lies between the left thread tension discs (A). Thread the left needle manually.
6. Pull out the auxiliary spool pin and slide on a spool cap.

*Note: Only use symmetrical twin needles (C). Do not use this type of twin needle (D), since it may damage your sewing machine.*



7. Place the second thread on the spool pin. The second spool should rotate in a *counterclockwise* direction when the thread reels off the spool.
8. *Right needle:* Thread the machine as before but this thread should lie between the right thread tension discs (A) and outside the needle thread guide (B). Thread the right needle manually.

*Note: If using specialty threads (such as metallic threads) its weight and irregular surface increases the thread tension. By reducing the tension, the risk of needle breakage is prevented.*

## WINDING THE BOBBIN WITH THE MACHINE THREADED

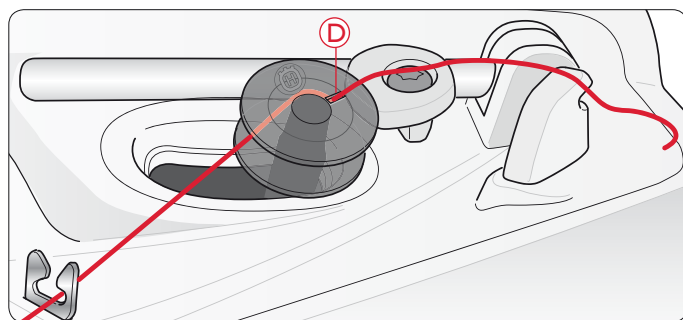
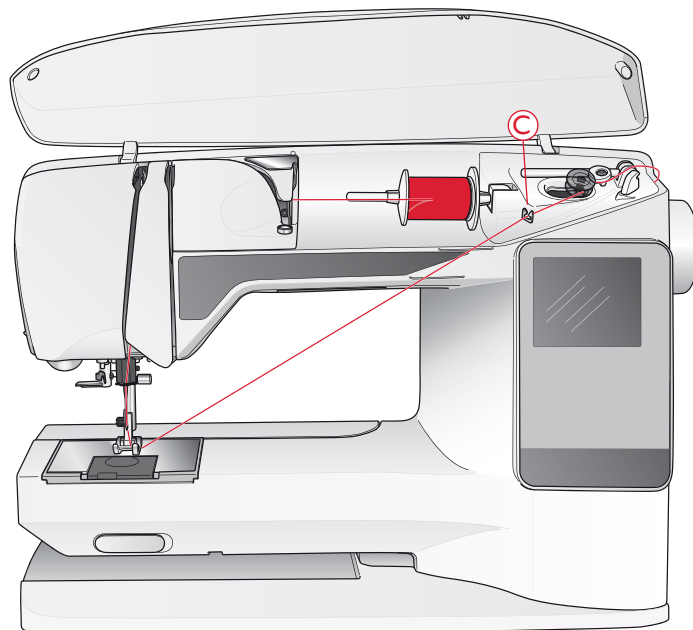
Make sure that the presser foot is up and the needle is in the highest position.

*Note! Do not use a plastic presser foot when bobbin winding.*

1. Place an empty bobbin on the bobbin spindle on the top of the machine. The bobbin only fits on one way, with the logo facing up. Use only original HUSQVARNA VIKING® bobbins.
2. Pull the thread from the needle under the presser foot and to the right through the thread guide (C).
3. Guide the thread through the hole in the bobbin (D) from the inside to the outside.

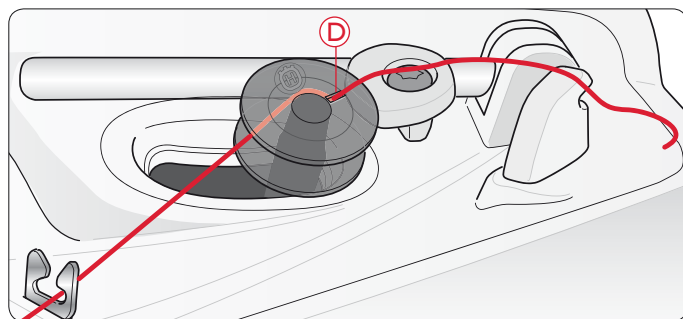
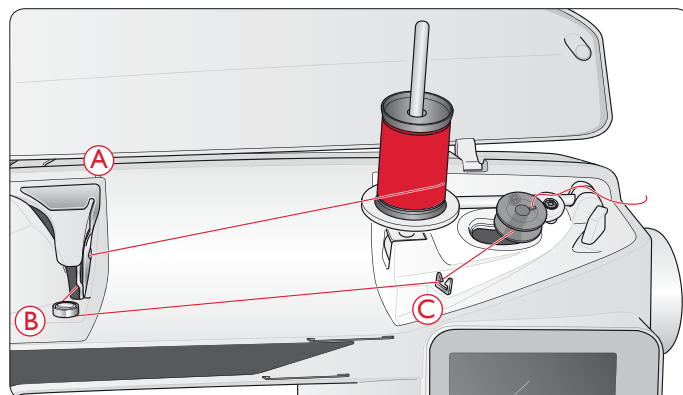
*Note: When using an earlier version of HUSQVARNA VIKING® bobbins that do not have a hole, wind several turns of thread on the bobbin to get started.*

4. Push the bobbin spindle to the right. A pop-up message appears on the GraphicDisplay. Hold the end of the thread firmly when starting to wind. Press the foot control to start winding. Once the bobbin begins to wind, cut the excess thread. When the bobbin is full it will stop rotating. Release the foot control. Push the bobbin spindle back to the left, remove the bobbin and cut off the thread on the thread cutter.



## WINDING THE BOBBIN USING THE VERTICAL SPOOL PIN

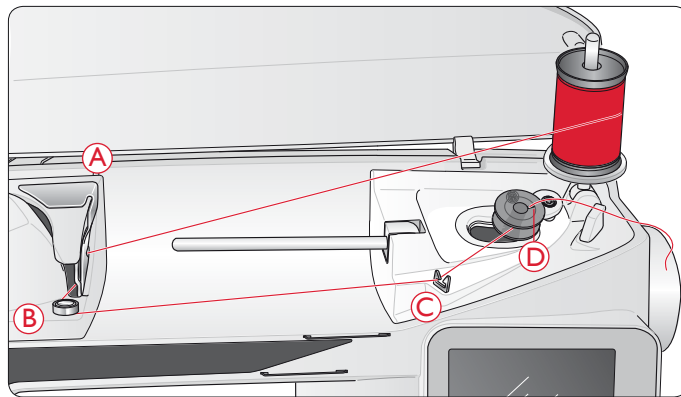
1. Place an empty bobbin on the bobbin spindle on the top of the machine. The bobbin only fits on one way, with the logo facing up. Use only original HUSQVARNA VIKING® bobbins.
2. Place the large spool cap and a felt pad under the spool on the main spool pin set in the vertical position.
3. Bring the thread over and behind the pre-tension thread guide (A) and down around the thread tension disc (B), then through thread guide (C) as illustrated.
4. Guide the thread through the hole in the bobbin (D) from the inside to the outside.
5. Push the bobbin spindle to the right. A pop-up message appears on the GraphicDisplay. Hold the end of the thread firmly when starting to wind. Press the foot control to start winding. Once the bobbin begins to wind, cut the excess thread. When the bobbin is full it will stop rotating. Release the foot control. Push the bobbin spindle back to the left, remove the bobbin and cut off the thread on the thread cutter.



*Note: When using an earlier version of HUSQVARNA VIKING® bobbins that do not have a hole, wind several turns of thread clockwise on the bobbin to get started.*

## WINDING THE BOBBIN USING THE AUXILIARY SPOOL PIN

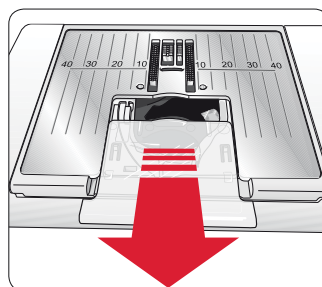
1. Place an empty bobbin on the bobbin spindle on the top of the machine. The bobbin only fits on one way, with the logo facing up. Use only original HUSQVARNA VIKING® bobbins.
2. Fold out the auxiliary spool pin. Place a spool cap and a felt pad under the spool.
3. Bring the thread over and behind the pre-tension thread guide (A) and down around the thread tension disc (B), then through thread guide (C) as illustrated.
4. Guide the thread through the hole in the bobbin (D) from the inside to the outside.
5. Push the bobbin spindle to the right. A pop-up message appears on the GraphicDisplay. Hold the end of the thread firmly when starting to wind. Press the foot control to start winding. Once the bobbin begins to wind, cut the excess thread. When the bobbin is full it will stop rotating. Release the foot control. Push the bobbin spindle back to the left, remove the bobbin and cut off the thread on the thread cutter.



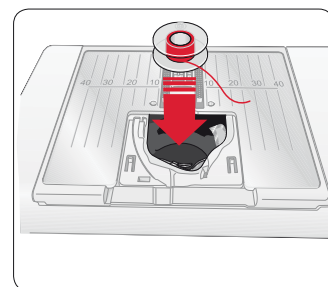
## INSERTING THE BOBBIN

 Press the ON/OFF switch to "O".

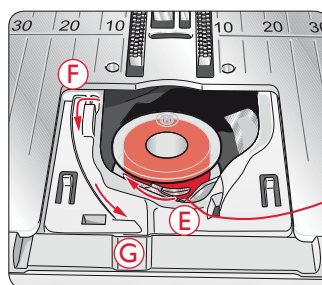
1. Remove the bobbin cover by sliding it towards you.
2. Place the bobbin in the bobbin case. It drops in only one way with the logo facing up. The thread unreels from the left of the bobbin. The bobbin will then rotate counter-clockwise when you pull the thread.
3. Place your finger on the bobbin to keep it from turning as you pull the thread firmly to the right and then to the left into the tension spring (E) until it "clicks" into place.
4. Continue threading around (F) and to the right of the thread cutter (G). Slide on the bobbin cover (H). Pull the thread to the left to cut (I).



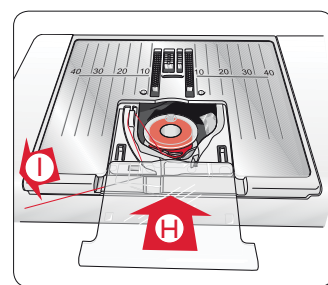
1.



2.



3.



4.

## THREAD TENSION

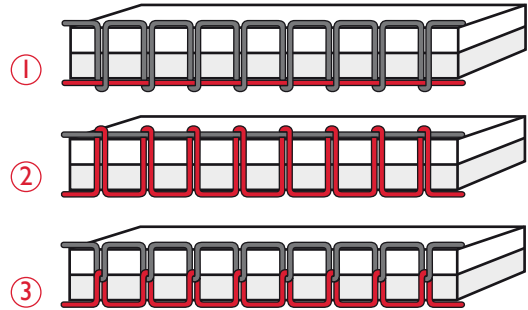
Your machine automatically sets the best thread tension for the selected stitch and fabric. Go to the SET Menu to adjust the thread tension for specialty thread, techniques or fabric (see page 30).

## CORRECT AND INCORRECT THREAD TENSION

To understand the correct thread tension, sew a few sample straight stitches at different settings.

1. Begin with a tension that is too loose, i.e. set at the lowest number. The bobbin thread will lie straight and the top thread will be drawn to the underside of the fabric.
2. If you set the tension at the highest number, the bobbin thread will be visible on the top side of the fabric. The seam may pucker and the top thread might break.
3. The correct thread tension is set when the threads interlock in between both fabric layers or, in the case of decorative stitches, on the underside.

*Note: For decorative stitches and buttonholes the top thread should be visible on the underside of the fabric.*



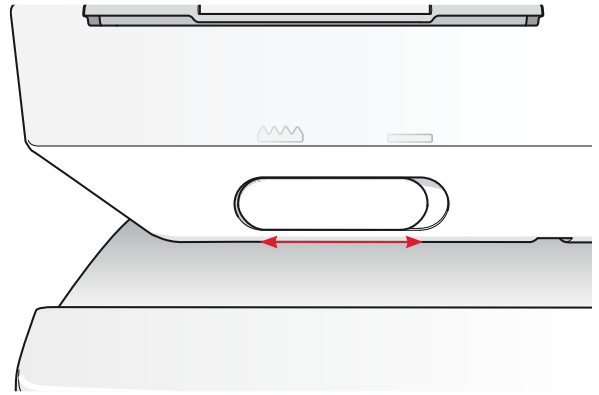
## THREAD SENSOR

If the upper thread breaks or bobbin thread is running low, the machine stops and a pop-up message appears on the GraphicDisplay.

If upper thread breaks: Re-thread the machine and close the pop-up message by pressing the OK button. If bobbin thread is running low: You can continue sewing without closing the pop-up before the bobbin thread runs out completely. This gives you an opportunity to plan when you want to change your bobbin. When the bobbin is replaced with a full one, press the OK button.

## LOWER THE FEED TEETH

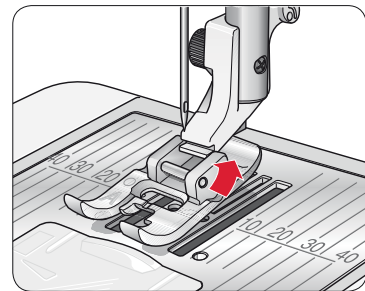
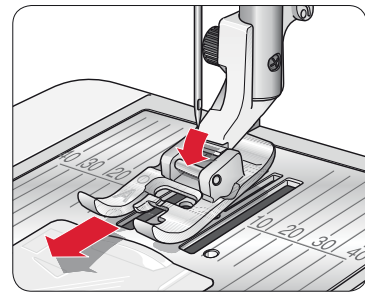
The feed teeth are lowered when you move the switch on the front of the free arm to the right. Move the switch to the left if you wish to raise the feed teeth. The feed teeth will raise as you begin to sew. The feed teeth should be lowered when sewing on buttons and for free motion sewing.



## CHANGING THE PRESSER FOOT

**⚠** Press the ON/OFF switch to “O”.

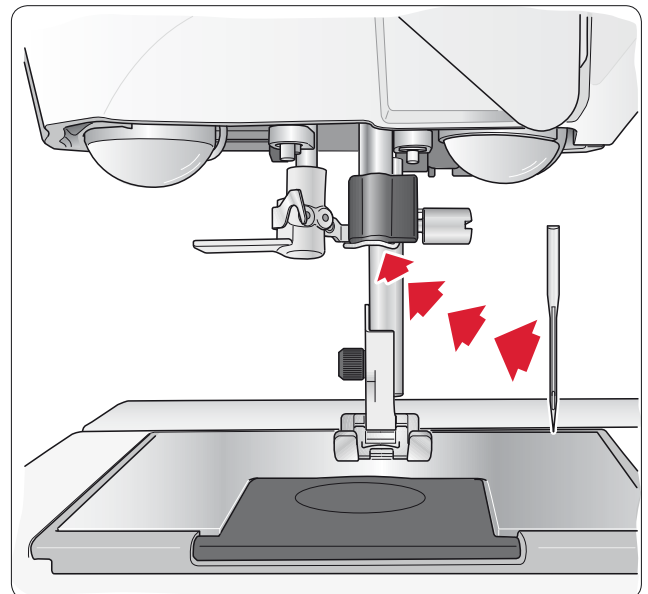
1. Make sure the needle is in the highest position and the presser foot is lifted. Pull the presser foot towards you.
2. Line up the cross pin on the foot with the gap in the presser foot ankle. Push back until the foot snaps into place.



## CHANGING THE NEEDLE

**⚠** Press the ON/OFF switch to “O”.

1. Loosen the screw in the needle clamp with the screwdriver.
2. Remove the needle.
3. Push the new needle upwards with the flat side away from you until it will go no further.
4. Use the screwdriver to tighten the screw properly.



# NEEDLES

The sewing machine needle plays an important role in successful sewing. Use only quality needles. We recommend needles of system 130/705H.

## Universal Needle (A)

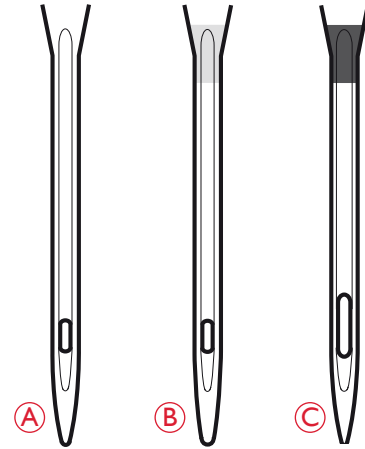
Universal needles have a slightly rounded point and come in a variety of sizes. For general sewing on a variety of fabric types and weights.

## Stretch Needle (B)

Stretch needles have a special scarf to eliminate skipped stitches when there is a flex in the fabric. For knits, swimwear, fleece, synthetic suedes and leathers.

## Denim needle (C)

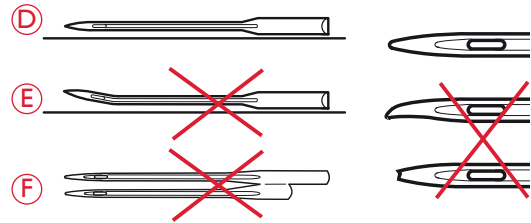
Denim needles have a sharp point to penetrate tightly woven fabrics without deflecting the needle. For canvas, denim, microfibers. Marked with a blue band.



*Note: Change the needle often. Always use a straight needle with a sharp point (D).*

*A damaged needle (E) can cause skipped stitches, breakage or snapping of thread. A damaged needle can also damage the needle plate.*

*Do not use asymmetrical twin needles (F) since they may damage your sewing machine.*



## THREADS

There are many threads on the market today developed for different purposes.

### All Purpose Sewing Thread

All purpose sewing thread is made of synthetic, cotton or cotton covered polyester. This type of thread is used for sewing garments and projects.

### Embroidery Thread

Embroidery thread is made of various fibers: rayon, polyester, acrylic or metallic. These threads create a smooth glossy appearance for embroidery and other decorative stitching.

When embroidering, use embroidery bobbin thread because it is a fine weight and will not build up under embroidery.

*Note: When using a metallic or a flat film thread for embroidering, you may need to use a needle with a larger eye and lower the embroidery speed. Thread the sewing machine with the spool in the vertical position.*

### Transparent Thread

Transparent thread, also called monofilament thread, is single clear synthetic thread. It is used for quilting and other decorative sewing. Thread the sewing machine with the spool in the vertical position. When winding a bobbin, wind at slow speed and wind the bobbin half full.

*Note: Some fabrics have excess dye which can cause discoloration on other fabrics or on your sewing machine. This discoloration may be very difficult or impossible to remove.*

*Fleece and denim fabric, especially red and blue, often contain excess dye.*

*If you suspect that your fabric/ready-to-wear garment contains a lot of excess dye, always pre-wash it before sewing/embroidering to prevent discoloration of your machine.*



## STABILIZERS

### Tear-Away Stabilizers

Tear-away stabilizers are used with stable woven fabrics. Place underneath fabric for decorative stitching or hoop with the fabric when embroidering. Tear away excess stabilizer after stitching.

### Iron-on Tear-Away

Iron-on tear-away is a totally stable stabilizer that has a slick side that will iron on to fabric. It is recommended for knits and all unstable fabrics. Fuse it to the wrong side of the fabric before decorative stitching or hooping. Tear away excess stabilizer after stitching.

### Cut-Away Stabilizer

Cut-away stabilizer does not tear so the excess has to be cut away. It is recommended for knits and all unstable fabrics, especially for hoop embroidery.

### Water Soluble Stabilizer

Water soluble stabilizer is placed on top of the fabric when embellishing/embroidering napped and looped fabrics such as terry cloth. When embroidering cutwork, use it underneath the fabric. Place your work in water to dissolve the excess stabilizer. It is available in different thicknesses.

### Disintegrating Stabilizer

Disintegrating stabilizer is a stable, loosely woven fabric that is used for techniques such as cutwork and to crochet off the fabric edge. The stabilizer disappears with heat.

### Sticky Stabilizer

Sticky stabilizer is used for hoop embroidery when the fabric is too delicate or too small to be hooped. Hoop the sticky stabilizer with the paper side up. Remove the paper and stick the fabric onto the sticky surface. Tear away sticky stabilizer after stitching.

## PICTOGRAM™ PEN

Use an air or water soluble marking pen for embroidery and Pictograms on all types of fabrics. The color disappears after a few hours. You can also use cold water to completely remove the markings. Make sure that all markings are removed before ironing or washing with soap or detergent.

## COMPLIMENTARY SOFTWARE (PC)

A PC software package is available for your HUSQVARNA VIKING® DESIGNER TOPAZ™ 25 sewing and embroidery machine. It adds the following features:

- QuickFont program to create unlimited number of embroidery fonts from most TrueType™ and OpenType™ fonts on your computer.
- Handling of embroidery designs: viewing designs as thumbnail images, reading different embroidery file formats, add trim commands and more.

Go to HUSQVARNA VIKING® website at [www.husqvarnaviking.com](http://www.husqvarnaviking.com) and look for Embroidery Machines/Support and download the software. When you install you will be asked for Installation Code. Enter number:

**9200**

More information and detailed installation instructions are available on the download page.

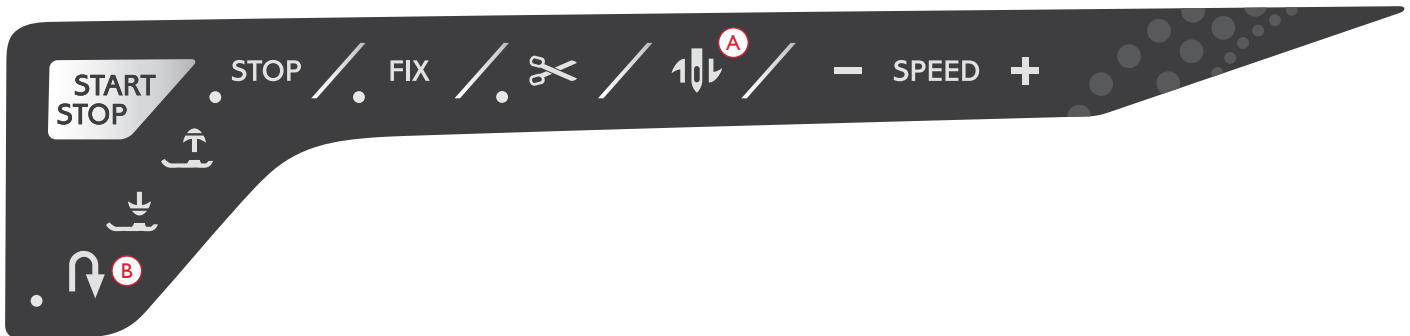
## HOW TO UPDATE YOUR MACHINE

Be sure to consult the web site at [www.husqvarnaviking.com](http://www.husqvarnaviking.com) and/or your local authorized HUSQVARNA VIKING® retailer for updates and upgrades for your machine and User's Guide.

## UPDATING INSTRUCTIONS

- Go to the HUSQVARNA VIKING® website at [www.husqvarnaviking.com](http://www.husqvarnaviking.com) and find your sewing machine. Here you will find updates available for your machine.
- Download the update software to your USB embroidery stick.
- Make sure that your machine is turned off. Connect the USB embroidery stick loaded with the new software version to the USB port on your machine.
- Press and hold the Needle Stop Up/Down button (A) and the Reverse button (B) at the same time. With both of these buttons firmly depressed, turn on your machine.
- The update starts automatically. When the LED next to the Reverse button starts flashing, release the buttons.
- The update procedure can take several minutes. The GraphicDisplay will be blank while the LEDs next to the Reverse button and two other buttons are flashing in different combinations.
- When the update is completed the machine will restart automatically. Check the software version number in the SET Menu.

*Note: If the update is not completed successfully the LEDs next to the Reverse button and two other buttons will flash simultaneously. Turn off the machine and restart the update from the beginning. If the problem remains contact your authorized retailer.*



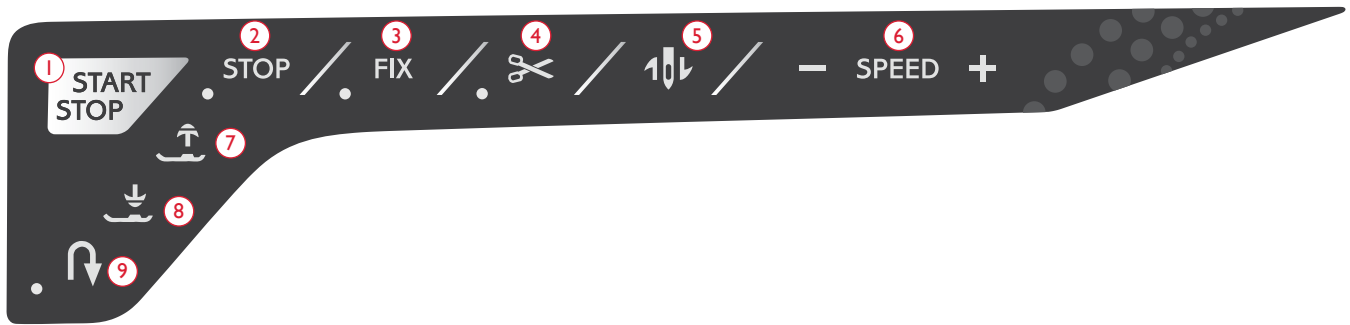
## SETTINGS & FUNCTION BUTTONS

This section of the User's Guide will guide you through the basic settings and function buttons on your machine.



# FUNCTION BUTTONS

(Embroidery Mode functions are in brackets)



## 1. START/STOP

Press this button to start or stop the machine sewing or embroidering when you are not using the foot control. Press START/STOP to begin and press again to stop.

Your machine stops automatically at color changes and when the embroidery is finished.

## 2. STOP (MONOCHROME)

**IN SEWING MODE:** STOP is used to conclude a stitch or to sew just one unit of the stitch. Your sewing machine ties off the thread and stops automatically when one stitch unit or stitch program has been completed. The LED next to the button is lit when STOP is activated. Select STOP again to cancel or by selecting a new stitch. The STOP function is cancelled when the stitch is completed. Press the button again if you wish to activate it once more.

STOP is also used to repeat the darning or bartack stitch with the same size.

The STOP function can be programmed, see page 40.

*Tip: If you want to repeat the STOP function for a stitch unit several times in a row you can save the stitch with a STOP at the end in a program (see programming, page 40).*

**IN EMBROIDERY MODE:** When embroidering STOP is automatically activated and the machine stops at color changes. Deselect STOP to eliminate stops for color changes to create monochrome embroidery (see page 73). The LED next to the button is lit when STOP is activated.

## 3. FIX (BASTE)

**IN SEWING MODE:** FIX is used to tie off a stitch. FIX is automatically activated when you select a stitch, use the Selective Thread Cutter, or use STOP while you are sewing. At the beginning, your machine sews a few tie-off stitches and continues with the selected stitch. Press FIX while sewing and your machine sews a few tie-off stitches and stops automatically. The LED next to the button is lit when FIX is active. Press the FIX button to turn the function off. The FIX function can be programmed, see page 40.

*Note: FIX Auto can be cancelled in the SET Menu (see page 31). No automatic FIX stitches will be sewn unless you use the FIX button on your machine.*

**IN EMBROIDERY MODE:** Press FIX to baste an outline of the embroidery design area or to baste the fabric to the stabilizer.

## 4. SELECTIVE THREAD CUTTER

**IN SEWING MODE:** Press the Selective Thread Cutter button and your machine ties off the threads, cuts the top and bobbin threads, raises the presser foot and the needle, and activates the FIX function for the next start. To cut threads at the end of a stitch or stitch program, press Selective Thread Cutter while sewing. The LED next to the button starts flashing indicating that a cut is requested. When the stitch or stitch program is completed, the machine will make a FIX and then cut the upper thread and bobbin thread. The Selective Thread Cutter function can be programmed, see page 40.

*Note: Your machine cuts the threads automatically after certain stitches such as completing a Sensor One Step Buttonhole. Selective Thread Cutter Auto can be cancelled in the SET Menu, see page 31.*

**IN EMBROIDERY MODE:** If you press the Selective Thread Cutter while embroidering it automatically cuts the top and bobbin threads and raises the presser foot. At the end of a color block only the top thread is cut. When the design is finished, both top and bobbin threads are cut automatically.

*Note: Selective Thread Cutter Auto can be cancelled in the SET Menu, see page 31.*

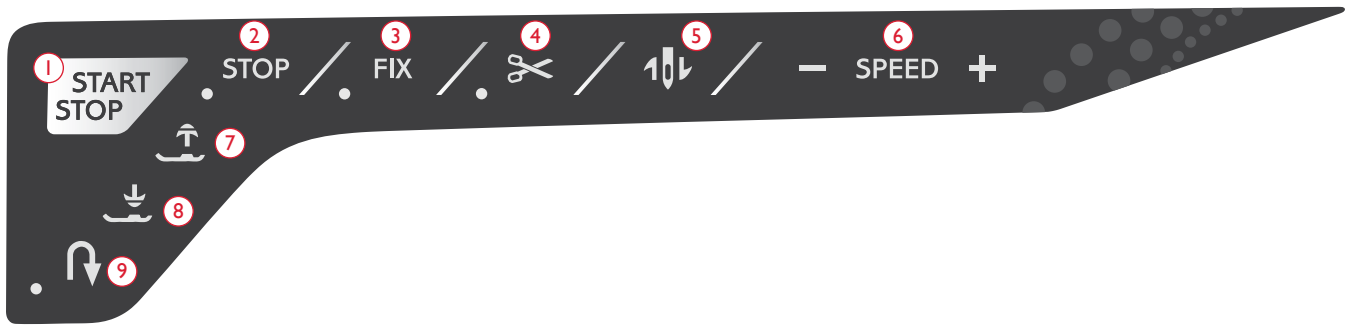
## 5. NEEDLE STOP UP/DOWN (TRIM POSITION)

**IN SEWING MODE:** Press the Needle Stop Up/Down to move the needle up or down. The setting of the needle stop position is changed at the same time. An arrow pointing up or down, next to the needle on the GraphicDisplay indicates if Needle Stop Up or Needle Stop Down is selected.

You can also tap the foot control to raise or lower the needle. If both the needle and the presser foot are in up position, only the presser foot will be lowered when you tap the foot control the first time. Tap again to lower the needle as well.

# FUNCTION BUTTONS

(Embroidery Mode functions are in brackets)



**IN EMBROIDERY MODE:** If no hoop is attached, the embroidery unit will move the embroidery arm to Park Position when you select Needle Stop Up/Down. If a hoop is attached, the machine will move the hoop forward, towards you, for easy thread trimming (see page 73).

## 6. SPEED + AND -

**IN SEWING MODE:** All stitches in your machine have a pre-set, recommended sewing speed. Press Speed + or Speed - to increase or decrease the sewing speed. The speed level is shown on the GraphicDisplay. You cannot select a higher speed than the max speed for the selected stitch.

When sewing with metallic threads, or when sewing on delicate fabrics, lower the speed for optimal results.

**IN EMBROIDERY MODE:** Each stitch type in a design has a pre-set maximum speed at which it can be sewn. To reduce the speed when using specialty threads or embroidering on delicate fabrics, press Speed -. To increase the speed again press Speed +.

## 7. SENSOR FOOT UP AND EXTRA LIFT

**IN SEWING MODE:** Press Sensor Foot Up to raise the presser foot. Press it a second time and the presser foot will raise to Extra Lift.

**IN EMBROIDERY MODE:** Press Sensor Foot Up and Extra Lift to lift the presser foot to Up position. Press once more and the presser foot will raise to Extra Lift, to make it easier to insert or remove the hoop.

## 8. SENSOR FOOT DOWN AND PIVOT

**IN SEWING MODE:** Press the Sensor Foot Down and Pivot button and the presser foot will be completely lowered. The machine firmly holds the fabric. Press Sensor Foot Down again to raise the presser foot to pivot position or a floating position over the fabric for easier placement of the fabric.

The presser foot will be lowered automatically when you start sewing. You can also tap the foot control to lower the presser foot.

When you stop with the needle in the down position, the presser foot is automatically lifted to pivot position. This function can be turned off in the SET Menu, see page 30.

**IN EMBROIDERY MODE:** Press the Sensor Foot Down button to lower the presser foot into the Embroidery “float” position.

## 9. REVERSE

For permanent reverse, press the Reverse button once before starting to sew. The reverse indicator will be lit and the machine sews in reverse until you press the button again to cancel. If you press the reverse button while sewing, the machine will sew in reverse for as long as you keep the button pressed. The reverse indicator is lit when the reverse button is pressed.

Reverse is also used when sewing buttonholes, bartacks and darning stitches to step between the parts of the stitch.

Reverse has no function in Embroidery Mode.

## EXCLUSIVE SENSOR SYSTEM™

Thanks to the EXCLUSIVE SENSOR SYSTEM™ feature, the presser foot continuously senses the thickness of fabric, whether in sewing mode or embroidery mode, and sews over the fabric smoothly and evenly with perfect fabric feeding.

Go to the SET Menu, to see the actual setting of the Sensor presser foot pressure for the selected fabric and adjust the presser foot pressure.

## FUNCTIONS ON THE TOUCH PANEL

### 10. STITCH MENU/LOAD DESIGN

Press to open the Stitch Selection Menu. Press when the USB embroidery stick is inserted to load a design.

### 11. FONT MENU

Press to open the Font Menu to select a font.

### 12. SHIFT TO UPPER-CASE, LOWER-CASE OR NUMBERS

Press to shift to lower or upper-case or numbers when programming letters.

### 13. PROG (PROGRAM MODE)

Press PROG to open the mode for programming. Press the button again to exit the program mode.

### 14. SAVE TO MY STITCHES

Press to open the menu where you can save your own personal stitches or stitch programs. Press again to exit the My Stitches mode.

### 15. ALT (ALTERNATE VIEW)

When you select a satin stitch the length and width settings will be shown on the GraphicDisplay. By pressing ALT the density setting will be shown instead of the length setting.

In embroidery mode, pressing ALT will switch between embroidery edit and embroidery stitch-out view.

### 16. STITCH LENGTH/DENSITY AND DESIGN HEIGHT

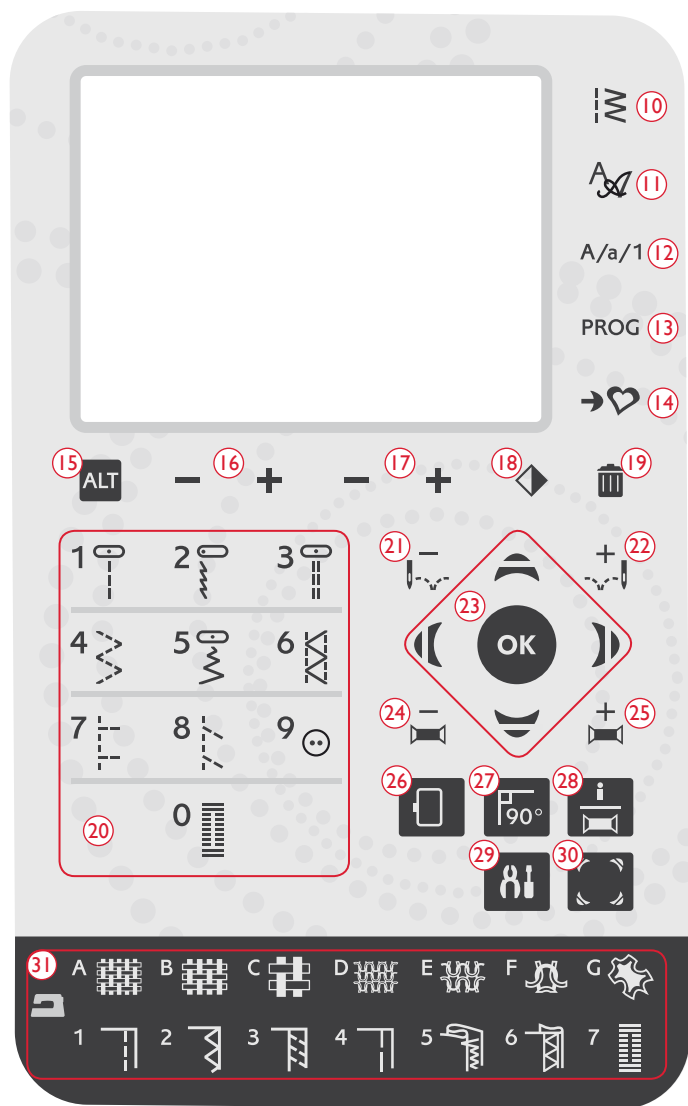
In sewing mode, reduce or increase the stitch length/density by pressing – or +. See pages 37-38.

In embroidery mode, reduce or increase the design height by pressing – or +. See page 71.

### 17. STITCH WIDTH/NEEDLE POSITION AND DESIGN WIDTH

In sewing mode, adjust the stitch width/needle position by pressing – or +. See pages 37-38.

In embroidery mode, reduce or increase the design width by pressing – or +. See page 71.



### 18. MIRROR SIDE TO SIDE

Press to mirror the selected stitch side to side. In straight stitch, with a left needle position, pressing this icon will move the needle from the left to the right symmetrically across the center position. If pressed in Sewing Mode for stitch programs, the whole stitch program is mirrored. The change is visible on the GraphicDisplay and an icon is shown indicating that Mirror Side to Side is selected.

In embroidery mode, press to mirror the loaded design side to side. The change is visible on the GraphicDisplay and an icon is shown indicating that Mirror Side to Side is selected.

### 19. DELETE

Press to delete a single stitch or all stitches in a stitch program or embroidery font program. Or use it to delete your saved stitches and stitch programs in the My Stitches Menu.

## 20. STITCH SELECTION BUTTONS

By pressing any of the 0 to 9 buttons you select the stitch illustrated on that button immediately.

By pressing two digits in quick succession you will be able to select a stitch from 10 and up from the selected stitch menu. If the stitch number does not exist in the selected stitch menu you will hear a beep and the first entered digit will be selected as a stitch.

## 21/22. STEP STITCH-BY-STITCH – AND +

In embroidery mode, use the Step Stitch-by-Stitch – and + buttons to step through the design stitch by stitch.

## 23. NAVIGATOR ARROWS AND OK

Make your selections with the Navigator Arrows and confirm your selections or changes with OK.

Use the left/right Navigator Arrows to select stitches step by step in numerical order within the selected stitch menu.

Use the up/down Navigator Arrows to set the size of a buttonhole and to set the number of stitches when sewing on a button.

The Navigator Arrows are also used when programming to select stitches/letters within the program or to select letters to insert in the program.

In embroidery mode the Navigator Arrows are also used for positioning the design in the embroidery area.

## 24/25. STEP COLOR-BY-COLOR – AND +

In embroidery mode, use the Step Color-by-Color – and + buttons to step to the first stitch of the previous or next color.

## 26. HOOP OPTIONS

Press the Hoop Options button to open a list where you can select hoop size and different hoop positions. See page 72.

## 27. ROTATE DESIGN

Press the Rotate button to rotate current design 90 degrees clockwise. See page 71.

## 28. EMBROIDERY INFO BUTTON

Press this button before loading a design to see information about design size, number of colors and stitches. Press this button with a design loaded to embroidery mode to see design name, number of colors and stitches and color block list. See page 70.

## 29. SET MENU

Press to open the menu for machine settings. Make changes and selections by using the Navigator Arrows (11). Press again to exit the SET Menu. Read more about the settings made in the SET Menu on page 30-32.

## 30. CORNER CHECK

In embroidery mode, press the Corner check button to trace the four corners of the design. Each time you press the button the hoop will move to one of the corners. See page 73.

## 31. EXCLUSIVE SEWING ADVISOR™

The Exclusive SEWING ADVISOR™ feature automatically sets the best stitch, stitch length, stitch width, thread tension, sewing speed and sensor foot pressure for your project. The stitch is displayed on the GraphicDisplay with presser foot and needle recommendations. Press the symbols for the fabric you are using and the sewing technique you wish to sew (see page 37).

## SET MENU

You can change the pre-set machine settings and make manual adjustments to the automatic functions in the SET Menu. Open the menu by pressing the SET Menu button (A) and select the setting you wish to adjust by pressing the up/down arrow buttons (B). To activate the function, use the OK button to place an X in the box. To cancel the function, press the OK button again to leave the box empty. To change the number settings use the right/left arrow buttons (B). Press the SET Menu button again to leave the SET Menu.

*Note: When a number is set to default the figures will be black. If you change the number the figures will be inverted on a black background.*

## THREAD TENSION

Your machine will automatically set the best thread tension for the selected stitch and fabric. Use the left/right arrow buttons if you need to adjust the thread tension.

In Sewing Mode the changes only affect the selected stitch. If another stitch is selected or the same stitch is selected again, the value is reset to the default value. In Embroidery Mode the value is reset to the default value when a new design is loaded. The setting will go back to default when the machine is turned off.

## PRESSER FOOT PRESSURE (ONLY IN SEWING MODE)

Use the left/right arrow buttons if you want to adjust the presser foot pressure for the selected stitch. The value can be adjusted between 0 and 8.5 in steps of 0.5. Your manual setting will be cancelled when you select another stitch or turn off the machine.

*Note: When you save a stitch or program in My Stitches the setting of the presser foot pressure is also saved.*

## PIVOT HEIGHT

If Free Motion is activated or if the machine is in Embroidery Mode you will be able to set the height of the presser foot pivot position. The float/pivot position can be raised or lowered in 15 steps by pressing the left/right arrow buttons. Your setting for the actual mode will be saved even when the machine is turned off.

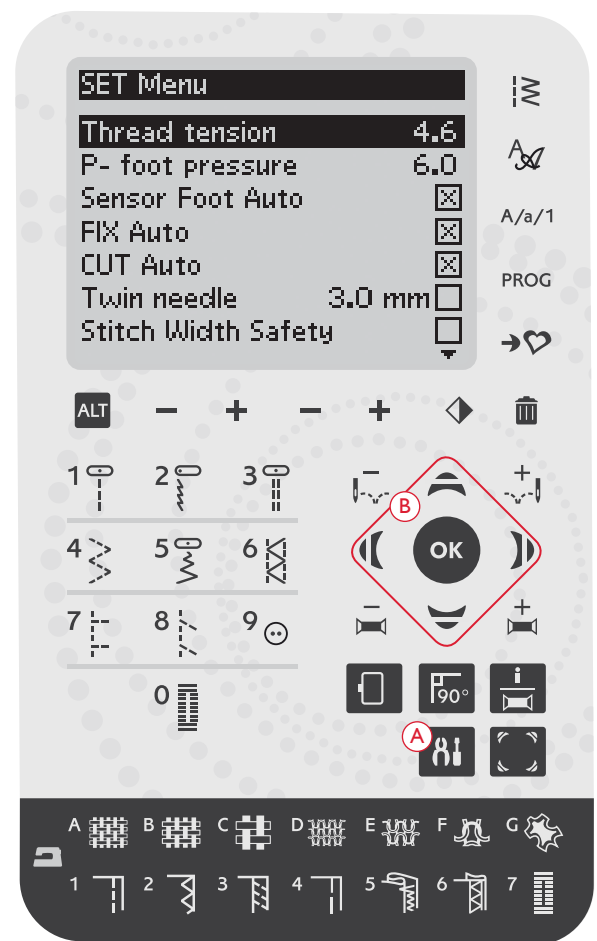
**FREE MOTION:** Skipped stitches can occur if your fabric moves up and down with the needle as you are stitching. Lowering the pivot height will reduce the space between the presser foot and the fabric and eliminate the skipped stitches.

*Note: Be careful not to reduce the pivot height too much. The fabric must still move freely under the presser foot.*

**EMBROIDERY MODE:** Some embroideries may build up under the presser foot. If there is not enough space between the presser foot and the embroidery, the top thread will form loops on the underside of the embroidery. Increase the pivot height in small steps until the embroidery moves freely under the presser foot.

## SENSOR FOOT AUTO (ONLY IN SEWING MODE)

Use the OK button to turn on or off the automatic pivot function for lifting the presser foot for example when stopping with the needle down. The setting will go back to default (on) when the machine is turned off.



SET Menu, Sewing Mode



SET Menu, Sewing Mode

## FIX AUTO (ONLY IN SEWING MODE)

Use the OK button to turn on or off the automatic FIX function in the beginning of each stitch. Your setting will be saved even when the machine is turned off.

## SELECTIVE THREAD CUTTER AUTO

The Selective Thread Cutter will automatically cut the threads and the presser foot will raise after a Sensor Buttonhole or eyelet is sewn, at color changes or when an embroidery is finished. Use the OK button to turn off this function. The setting will go back to default (on) when the machine is turned off.

## TWIN NEEDLE

If you are using a twin needle, set the size of the needle to limit the width of all stitches and prevent needle breakage. Activate or deactivate the twin needle function with the OK button and use the left/right arrow buttons to set the twin needle size. Your setting will be saved even when the machine is turned off. A pop-up message reminds you of the setting when you turn on the machine. Close the pop-up message by pressing OK.

*Note: You cannot set the twin needle size if the Stitch Width Safety is on, or turn on the Stitch Width Safety if the machine is set for twin needle.*

## STITCH WIDTH SAFETY

Use the OK button to turn on the Stitch Width Safety when using a straight stitch needle plate or a straight stitch presser foot. The stitch width will be limited to zero for all stitches to prevent damage to the needle, presser foot and needle plate. This setting is saved when the machine is turned off. A pop-up message reminds you of the setting when you turn on the machine. Close the pop-up message by pressing OK.

## FREE MOTION FLOATING\*

To sew in free motion with the included Embroidery/Darning Foot R or with any optional Free Motion Floating presser foot, set the machine in Free Motion Floating Mode. In Sewing Mode the drop feed teeth recommendation will be activated. The setting remains when the machine is turned off. A pop-up reminds you of the setting when you turn on the machine. Close the pop-up message by pressing OK.

*Note: You cannot set the machine in Free Motion Floating Mode if Free Motion Spring Action is activated or vice versa.*

## FREE MOTION SPRING ACTION\*\*

If you are using any of the optional Free Motion Spring Action presser feet, you need to set the machine in Free Motion Spring Action Mode. In Sewing Mode the drop feed teeth recommendation will be activated. The setting remains when the machine is turned off. A pop-up message reminds you of the setting when you turn on the machine. Close the pop-up message by pressing OK.

*Note: The machine needs to be set in Free Motion Spring Action Mode when embroidering with the optional Sensor Q-foot (part number 413192045).*



SET Menu, Sewing Mode

### \*Free Motion Floating

When you are sewing free motion at low speed the foot will raise and lower with each stitch to hold the fabric on the stitch plate while the stitch is being formed. When sewing in high speed, the foot floats over the fabric while sewing. The feed teeth must be lowered and the fabric is moved manually. All stitches can be sewn in Free Motion Mode.

### \*\*Free Motion Spring Action

The Free Motion Spring Action presser feet follows the up and down movement of the needle with help of the spring and the arm on the presser foot. The feed teeth must be lowered and the fabric is moved manually. It is recommended to turn on the Stitch Width Safety for the presser feet that are only intended for straight stitch sewing.



## BUTTONHOLE BALANCE (ONLY IN SEWING MODE)

If the Sensor One-Step Buttonhole Foot is not connected or if you select stitch 1:25, the columns in the buttonhole stitch will be sewn in different directions. On some fabrics this may cause the columns to appear with different density. Use the left/right buttons to balance the density between -7 and 7. The changes only affect the selected stitch. If another stitch is selected or the same stitch is selected again, the value is reset to the default value.

## AUTOMATIC JUMP STITCH TRIM (ONLY IN EMBROIDERY MODE)

The Automatic Jump Stitch Trim saves you time trimming after the embroidery is completed. Use the OK button to turn on or off the function. As you embroider, your machine will trim the top jump stitch thread and pull the thread end to the underside of the fabric. This setting is saved even if the machine is turned off.

*Note: The machine will also cut the thread after you have changed to a new color. Hold the thread end when you start embroidering again, so that you can easily remove the thread end when cut.*



*Designs marked with this symbol are programmed for Automatic Jump Stitch Trim. Jump stitch trim commands can be added to any design using the downloadable software. See page 24.*

*Note: If the front and back of your embroidery will be visible, turn off the Automatic Jump Stitch Trim and cut the threads manually.*

## MY HOOPS (ONLY IN EMBROIDERY MODE)

Use the right arrow button to open a menu where you can set the hoops you own. Use the OK button to select or deselect a hoop. When you load a design your machine will automatically select the smallest hoop size that fits the design among the hoops that you have set. If none or all hoops are selected in the My Hoops list you will be able to select from all hoops in Embroidery Mode. Press the left arrow button to return to the SET Menu.

## AUDIBLE ALARM

Turns on or off all alarm sounds of the machine. Default setting is on. This setting is saved even if the machine is turned off.

## CONTRAST

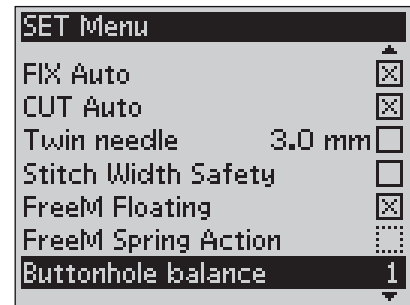
Adjust the contrast of the GraphicDisplay by using the left/right arrow buttons. The value can be set between -20 and 20 in steps of 1. The setting is saved even when the machine is turned off.

## LANGUAGE

Use the left/right arrow buttons to change the language of all text in your machine. The language setting is saved even when the machine is turned off.

## SOFTWARE VERSION

The currently loaded software version for the sewing machine is displayed.



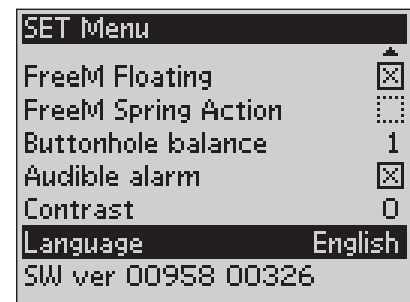
*SET Menu, Sewing Mode*



*SET Menu, Embroidery Mode*



*My Hoops Selections Menu*



*SET Menu, Sewing Mode*

## SEWING MODE

In this chapter you will find the basic information you need to start sewing. Learn how to select, adjust and program stitches, and get information on common pop-up messages for Sewing mode.

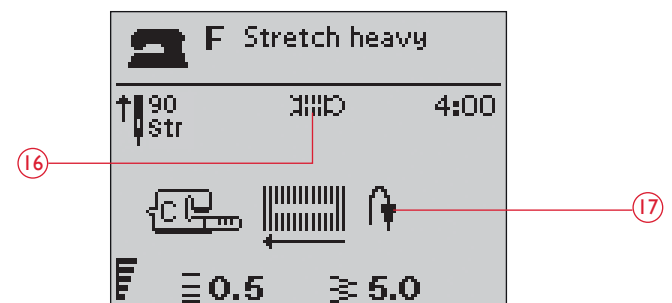
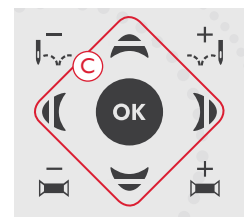
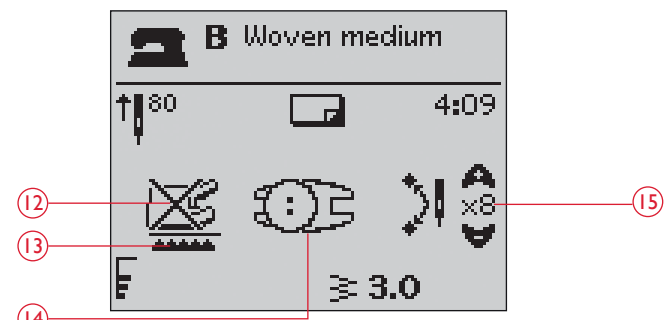
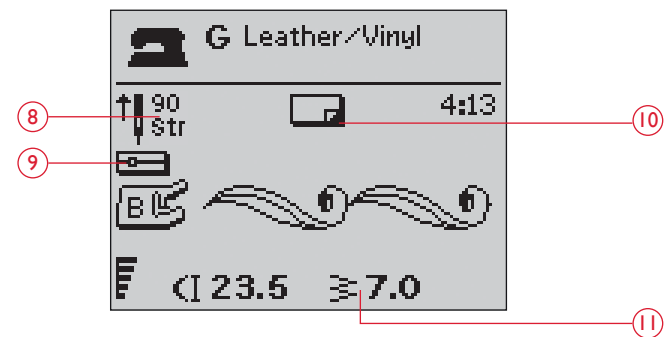
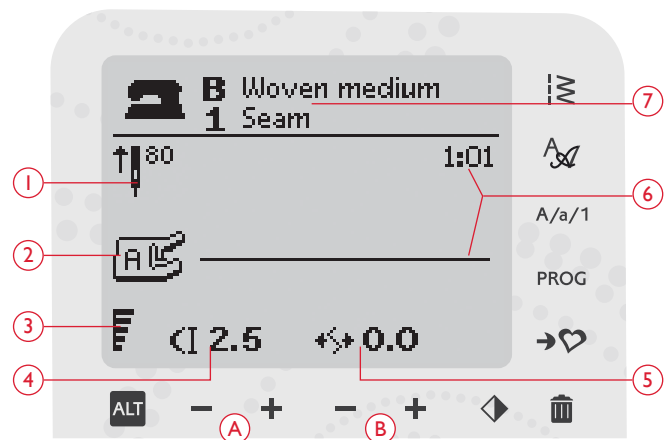


## SEWING MODE

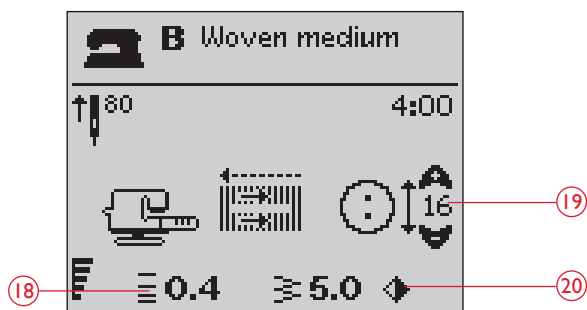
Sewing Mode is the first view on the display after you turn on the machine without the embroidery unit connected. Here you will find the basic information you need to start sewing. This is also where you adjust the settings of your stitch. Straight stitch is selected by default.

### OVERVIEW

1. Recommended needle for the selected fabric, in this case a Universal 80 needle. If twin needle is activated the selected twin needle size will be shown. An arrow next to the needle icon indicates if needle up/down is selected.
2. Recommended presser foot for the selected stitch and fabric.
3. Sewing speed indicated by five levels. Reduce or increase the speed by pressing SPEED + or SPEED - (see page 27).
4. Stitch length. Reduce or increase the stitch length by pressing - or + (A) (see page 37).
5. Needle position is shown instead of stitch width when straight stitch is selected. Change the needle position by pressing - or + (B) (see page 38).
6. The selected stitch, both illustrated and displayed by number.
7. The fabric and sewing technique selected on the Exclusive SEWING ADVISOR™ feature (see page 37).
8. Indicates that a Stretch 90 needle should be used.
9. Recommendation to use self adhesive glide plates (see page 7).
10. Recommendation to use stabilizer under your fabric.
11. Stitch width. Reduce or increase the stitch width by pressing - or + (B) (see page 37).
12. Recommendation to remove presser foot when sewing on buttons.
13. The icon for lowering the feed teeth is shown when sewing on buttons is selected and when free motion has been selected in the SET Menu.
14. Recommendation to use the multipurpose tool/button reed when sewing on a button.
15. Set the number of stitches to sew on the button by pressing the up and down Navigator Arrows (C).
16. Recommendation for corded buttonhole. When sewing buttonholes in stretch fabric we recommend to cord the buttonhole for better durability, see page 54.
17. When sewing a manual buttonhole or the darning program the reverse icon is shown to indicate that you need to press Reverse when the buttonhole columns or the darning stitch are sewn to the desired length.



18. Stitch density is shown instead of stitch length when a buttonhole, bartack or darning stitch is selected or when a satin stitch is selected and ALT is pressed. Reduce or increase the stitch density by pressing Stitch Length – and + (A).
19. Buttonhole size indication when using the Sensor One-Step Buttonhole Foot. Set the size of the button by pressing the up and down Navigator Arrows (C). Confirm with OK.
20. Indicates that the function Mirror Side to Side is activated.

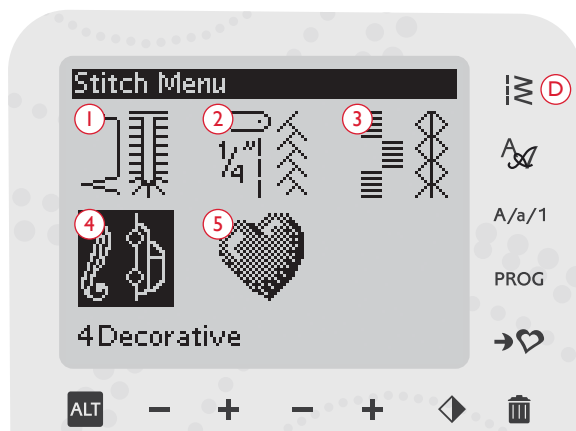


## SELECTING A STITCH

Press the Stitch Menu button (D) to select a stitch menu. Use the arrow buttons to select among the menus:

1. Utility stitches
2. Quilt stitches
3. Satin and Heirloom stitches
4. Decorative stitches
5. U - My Stitches

The name and number of the selected menu is shown at the bottom of the display. The stitches are pictured inside the lid of your machine with the menu numbers on the left and the stitch numbers within the menus across the center.



When you have selected the menu, press the number of the stitch you wish to use with the Stitch Selection buttons, or press OK and the first stitch in the selected menu will be selected (stitch number 10). Press the Stitch Menu button again to close the selection menu without making any selection.

Stitches 0-9 are the same in all stitch menus. If you press any of the Stitch Selection buttons once, you select the stitch illustrated on that button immediately, regardless of the selected stitch menu.

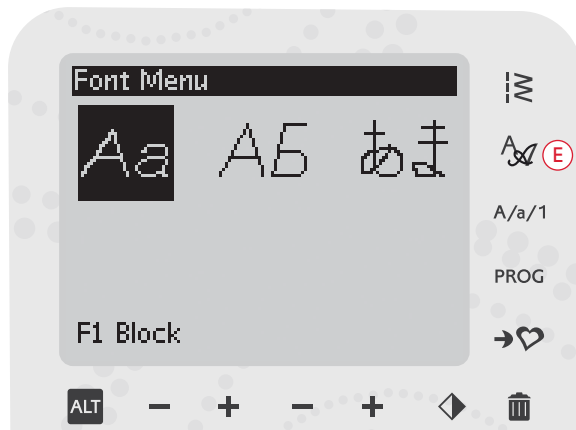
By pressing two digits in quick succession you will be able to select a stitch from 10 and up from the selected stitch menu. If the stitch number does not exist in the menu you will hear a beep and the first entered digit will be selected as a stitch.

The selected stitch menu, stitch and stitch number will be visible on the GraphicDisplay in Sewing Mode. To select another stitch in the same menu just press the number of the stitch or use the left and right arrow buttons to step stitch by stitch in numerical order. To select a stitch in another menu you will first need to change stitch menu and then select the stitch.

## SELECTING A FONT

Press the Font Menu button (E) to open the Font Menu on the GraphicDisplay. Use the arrow buttons to select among the fonts: Block, Cyrillic Alphabet, Hiragana Alphabet.

Press the OK button. This automatically opens the mode for programming letters, see page 39.



## EXCLUSIVE SEWING ADVISOR™

Your sewing machine has the Exclusive HUSQVARNA VIKING® SEWING ADVISOR™ feature. The Exclusive SEWING ADVISOR™ feature automatically sets the best stitch, stitch length, stitch width, thread tension, sewing speed and sensor foot pressure for your project. The stitch is displayed on the GraphicDisplay with presser foot and needle recommendations.

Press the buttons for fabric type and sewing technique desired. See next page.

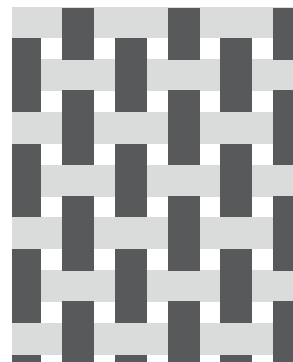


*Note: If an unsuitable combination is selected (for example woven light-blind hem), the machine beeps and the technique remains unselected.*

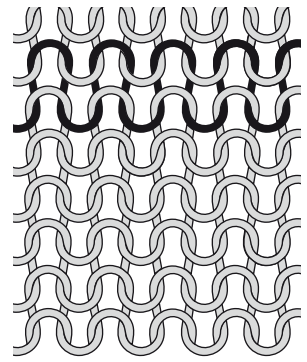
## WOVEN OR STRETCH (KNIT)

The difference between woven and knit fabric is the way the threads are put together. Woven fabrics are made of two thread systems, warp lengthwise and weft crosswise, that intersect at right angles. A knit fabric is made of one thread system with interlaced stitches. A knit fabric usually has stretch.

As a general rule, enter Woven for stable fabrics that have no stretch and Stretch for fabrics that have stretch.



*Woven fabric*

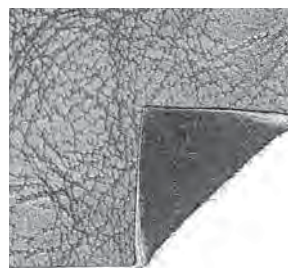


*Stretch (knit) fabric*

## LEATHER/VINYL

Leather is animal skin with the coat (fur) removed. Leather can be smooth or sueded and has some give.

Vinyl is a synthetic material which often has a woven wrong side. Vinyl can be smooth or patterned and some vinyl has give.



*Leather*



*Vinyl*

## FABRIC SELECTION



**A WOVEN LIGHT:** chiffon, organza, batiste, silk, wool challis, etc.



**B WOVEN MEDIUM:** calico, quilting fabrics, wool crepe, broadcloth, etc.



**C WOVEN HEAVY:** denim, wool suiting and coating, canvas, terrycloth, quilt layers with batting, etc.



**D STRETCH LIGHT:** charmeuse, nylon, tricot, single knit jerseys, etc.



**E STRETCH MEDIUM:** double knit, velour, swimwear, etc.



**F STRETCH HEAVY:** sweater knits, fleece, etc.



**G LEATHER AND VINYL:** suede, leather, vinyl and synthetic leather.

## SEWING TECHNIQUE



**1 SEAM:** sews two pieces of fabric together.



**2 OVERCAST:** finish fabric edges to prevent them from fraying and to help them lay flat.



**3 SEAM/OVERCAST:** sews the seam and overcasts the edge all at one time.



**4 BASTE:** a temporary stitching for fitting garments, gathering and marking. The Exclusive SEWING ADVISOR™ feature automatically sets a long stitch length and reduces the tension so the threads are easy to remove or to pull for gathering.



**5 BLIND HEM:** creates an invisible hem on garments. Is not recommended for light weight fabric or for leather/vinyl.



**6 HEM:** selects the best visible or top stitch hem for your fabric type and weight.



**7 BUTTONHOLE:** the Exclusive SEWING ADVISOR™ feature selects the best buttonhole possible for your fabric.

## STITCH SETTINGS

Your machine automatically sets the best settings for the selected stitch. The settings are visible on the GraphicDisplay. You can make your own adjustments on the selected stitch using the + or – buttons below the settings.

The setting changes only affect the selected stitch. Your changed settings will be reset to default when selecting another stitch. The changed settings are not automatically saved when turning your machine off. You can save the adjusted stitch in My Stitches, see page 42.

*Note: When the number for stitch length/width/density or needle position is set to default the figures will be black. If you change the number, the numbers will be inverted on a black background. When trying to exceed minimum or maximum settings a beep will be heard.*

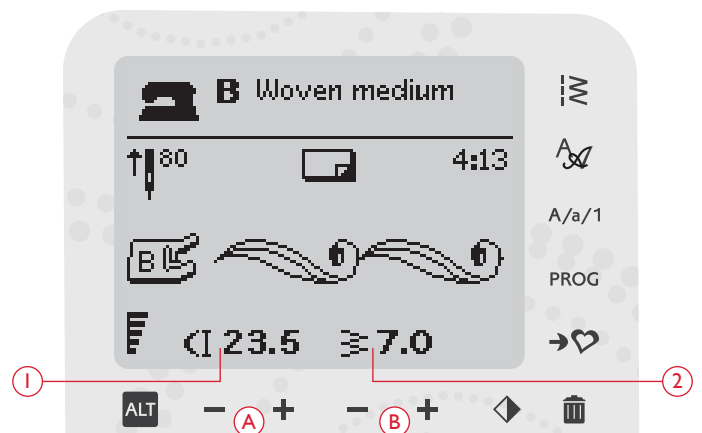
### STITCH LENGTH (1)

Increase or decrease the stitch length using the the + or – button (A).

If lengthening a zigzag stitch or a decorative stitch, the entire stitch will be longer. If lengthening a satin stitch, where the density can be adjusted, the entire stitch will be longer but the density will remain the same.

### STITCH WIDTH (2)

Increase or decrease the stitch width using the + or – button (B).



Stitch length –



Stitch length +

### STITCH DENSITY (3)

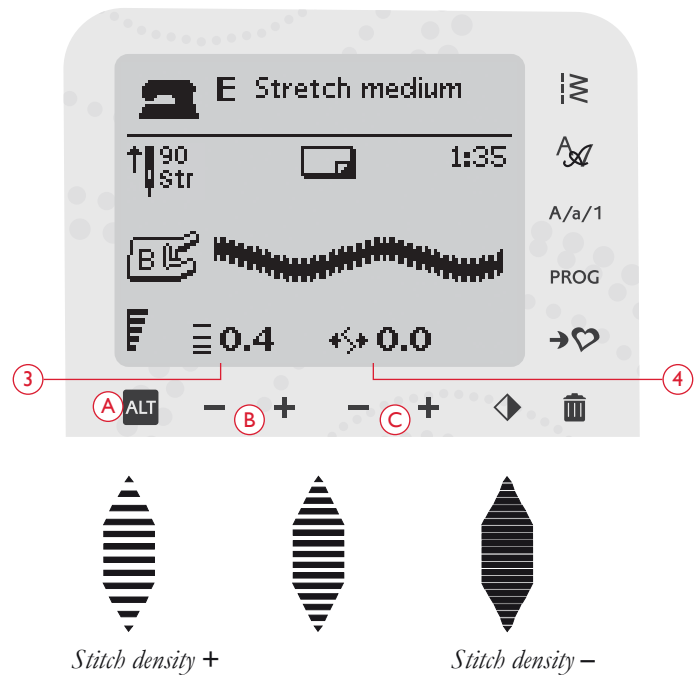
If you have selected a buttonhole the GraphicDisplay will show the density setting instead of the stitch length setting. You will now be able to change the density setting by pressing the + and – buttons.

If you press the Alternate View button (A) the GraphicDisplay will show the density setting for satin stitches. Use the + and – buttons (B) to change the setting.

*Note This is often used with specialty threads and when a less dense satin stitch is desired.*

### NEEDLE POSITION (4)

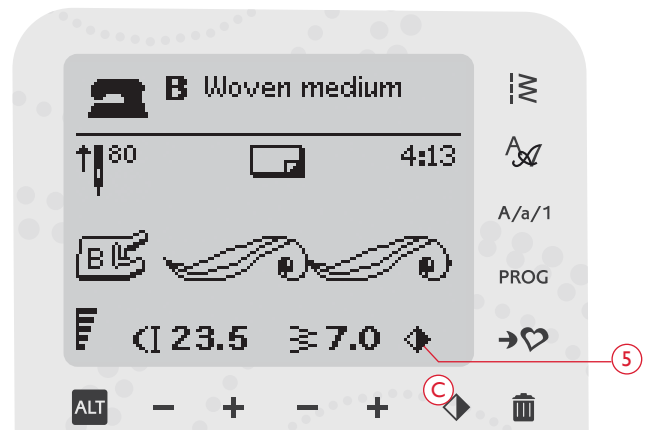
If a straight stitch is selected the needle position is shown on the GraphicDisplay instead of the stitch width. The + and – buttons (C) are used to move the needle to the left or right in 29 positions.



### MIRROR SIDE TO SIDE (5)

Press the Mirror Side to Side button (C) to mirror the selected stitch side to side. If the button is pressed when straight stitch with left needle position is selected, the needle position is changed from left to right. If the button is pressed in Sew Out Mode for stitch programs, the whole stitch program is mirrored. The change is visible on the GraphicDisplay and an icon is shown indicating that Mirror Side to Side is activated.

*Note: If a stitch cannot be mirrored a beep will be heard when pressing the Mirror Side to Side button.*



## PROGRAMMING

The programming function on your machine makes it possible to create stitches with your own personal settings and to combine stitches and letters into stitch programs. You can add up to 20 stitches and letters in the same program. Save your own stitches and programs in My Stitches and recall them any time you like.

All stitches in your sewing machine are programmable except for buttonholes, darning stitches, button sewing and bartacks.

### CREATE A STITCH PROGRAM

1. Press the PROG button to open the mode for programming.
2. The Stitch Menu which was previously selected will be kept when entering the Programming Mode. To change the stitch menu, press the Stitch Menu button and select another stitch menu by using the arrow buttons.
3. Press the number of the stitch you wish to use. The stitch will appear in Programming Mode.
4. Press the number of the next stitch and it will appear to the right of the last entered stitch.

*Note: Two numbers are displayed above the stitch program on the left side of the GraphicDisplay. The first number is the position of the selected stitch in the program. The second number, put in brackets, is the total number of stitches in the program. The number above the stitch program on the right side of the GraphicDisplay is the number of the selected stitch.*

### ADD LETTERS

5. Press the Font Menu button. Use the arrow buttons to select a font and press OK. The machine will show the upper case alphabet in Programming Mode.
6. Use the arrow buttons to select a letter and press OK to add the letter to the program.
7. To switch to a lower case alphabet or numbers press the Shift button.

### ABOUT PROGRAMMING LETTERS

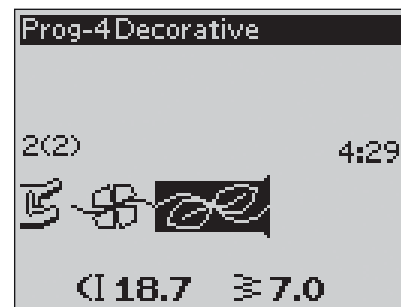
Both upper and lower case letters will be stitched with a 7 mm stitch width. If there are letters going below the baseline included in the program (e.g. j, p, y) the height of the uppercase letters will be reduced.

All text to be sewn out on the same project, should be in the same program to ensure the letters are sewn out in the same height.

For instance, a name and an address should be in the same program with a STOP after the name.



Programming Mode



4.



6.

Husqvarna VIKING

*"Husqvarna" and "VIKING" have been programmed separately.*

Husqvarna VIKING

*"Husqvarna" and "VIKING" are in the same program.*

## ADD STITCHES OR LETTERS AT OTHER POSITIONS

If you wish to add a stitch or letter at another position in the program, move the cursor by pressing the arrow buttons. The stitch or letter will be inserted to the right of the cursor.

*Note: When programming letters, press the arrow down button to activate the cursor in the stitch program instead of in the alphabet.*

## ADD THE SAME STITCH SEVERAL TIMES

If you want to add the same stitch several times in a row you can just press the OK button directly after the first stitch has been inserted. The same stitch, including any adjustments you have made to the stitch, will be inserted each time you press OK.

You can also move the cursor to select another stitch and press the OK button. The selected stitch will be inserted once more to the right of the selected stitch.

## DELETE STITCHES OR LETTERS

To delete a stitch in the program, select the stitch with the cursor by pressing the arrow buttons and press the Delete button (A).

To delete the whole program, move the cursor to the left of the first position and press the Delete button. A pop-up will appear asking you to verify the deletion. Select Yes or No with the arrow buttons and press OK.

## ADD COMMANDS

The commands FIX, STOP and Selective Thread Cut can be added to the program. Each command takes one memory space in the program.

*Note: If Auto FIX is activated on your machine you do not need to add a FIX in the beginning of the program.*

## JOIN TWO STITCH PROGRAMS INTO ONE

You can add a previously saved program to a new one in Programming Mode. Press the Stitch Menu button, select My Stitches and the program you wish to add. Press OK and the program will be inserted in Programming Mode to the right of the cursor.

## ADJUST A SINGLE STITCH OR LETTER

To adjust the settings of a single stitch in a program you must select the stitch in Programming Mode. You can adjust the stitch width, stitch length, density or needle position or mirror the stitch. The settings for the selected stitch are shown on the GraphicDisplay. Press the Alternate View button to toggle between different settings.



*Add commands*



*Adjust a single stitch or letter*

## ADJUST THE ENTIRE STITCH PROGRAM

Adjustments that affect the whole program and not just single stitches, are done in Sewing Mode. Press the PROG button, Start/Stop button or step on the foot control to leave Programming Mode and switch to Sewing Mode. In Sewing Mode you can adjust the width and length or mirror the whole program.

There are a few things you need to know when adjusting the stitch program in Sewing Mode:

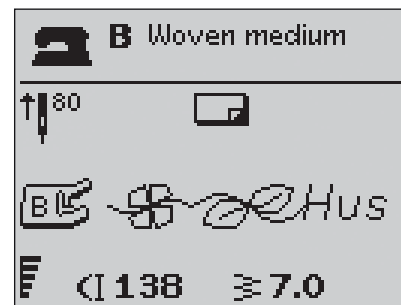
The adjustments you make to the program in Sewing Mode can be saved to My Stitches. However, these adjustments cannot be brought back to Programming Mode. If you have made adjustments in Sewing Mode and press the PROG button to go back to Programming Mode, these adjustments will be cancelled. This will also happen if you load a saved program from My Stitches to Programming Mode.

## SEW OUT THE STITCH PROGRAM

When you are done with your program press the My Stitches button to save it (see next page) or, if still in Programming Mode, press the PROG button, Start/Stop button or step on the foot control to switch to Sewing Mode.

Once you are in Sewing Mode and step on the foot control the machine will sew out your stitch program. The program will be sewn continuously if no STOP is programmed. Press the STOP button to sew your stitch program only once.

It is possible to start sewing at any stitch in the program. Use the left/right arrow buttons to step through the program in Sewing Mode.



*Sewing Mode*

## MY STITCHES MENU

My Stitches is your own personal menu where you can save and recall your programs or favorite stitches with personal settings.

There are 12 memories. Each memory has a maximum space of 20 stitches.

## SAVE A STITCH OR A PROGRAM

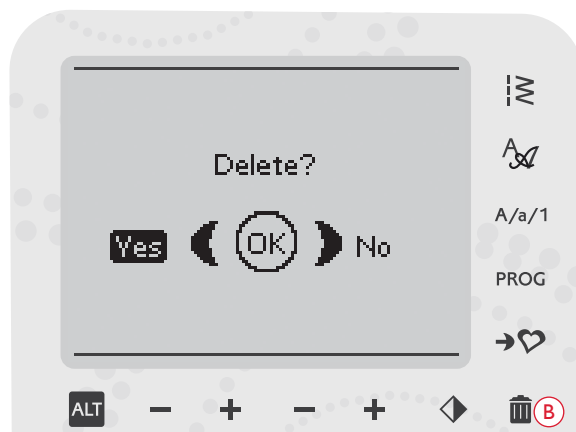
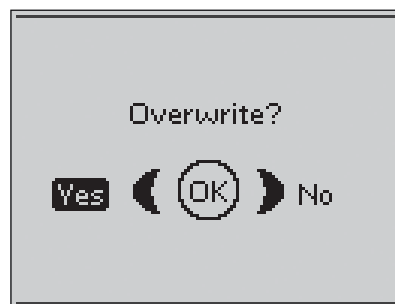
Press the My Stitches button (A) from Programming or Sewing Mode. This will open the My Stitches Menu. Select an empty memory by pressing the up/down arrow buttons. Confirm your selection by pressing the OK button. If the selected memory is not empty, a pop-up message will appear asking if you wish to overwrite the previously saved stitch/program with the new one. Select Yes or No with the arrow buttons and press the OK button. Press the My Stitches button again to return to Sewing Mode or Programming Mode.

## LOAD A SAVED STITCH OR PROGRAM

To load a saved stitch or program from My Stitches, press the Stitch Menu button and open the My Stitches Menu. Use the arrow buttons to select the stitch or program and press OK. The stitch/program will appear in Sewing Mode ready to be sewn.

## DELETE SAVED STITCHES OR PROGRAMS

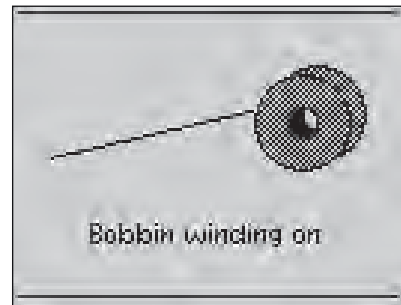
To delete a stitch or a program from My Stitches, press the Delete button (B) when the stitch/program is selected. A pop-up message will appear asking you to verify the deletion. Select Yes or No with the arrow buttons and press OK. Press the My Stitches button again to return to the previous menu.



## SEWING POP-UP MESSAGES

### Bobbin winding on

This pop-up message appears when the bobbin winder is pushed to the right and bobbin winding is activated.



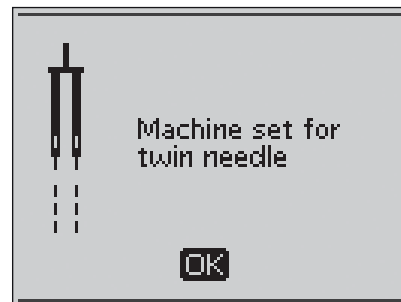
### Presser foot too high

Your machine will not sew if there is too much fabric under the presser foot. Remove some of the fabric or use another fabric. Press the OK button, or tap the foot control to close the pop-up message.



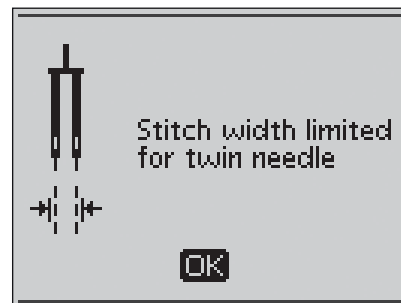
### Machine set for twin needle

When you have set the machine for twin needle in the SET Menu, a pop-up message is shown to remind you of the setting when you turn on your machine. Press the OK button or tap the foot control to close the pop-up message.



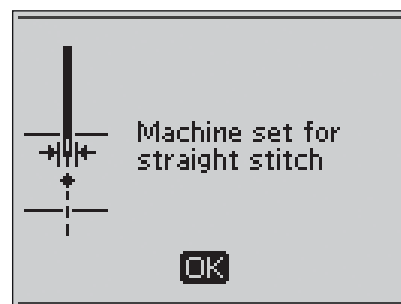
### Stitch width limited for twin needle

This message is shown when the machine is set for twin needle and you try to adjust the stitch width to wider than possible with the twin needle. Close the pop-up message by pressing the OK button.



### Machine set for straight stitch

This message is shown when the stitch width safety is on and you turn on the machine or try to adjust the stitch width. Close the pop-up message by pressing the OK button.



### This stitch cannot be sewn with twin needle

This pop-up message appears when the machine is set for twin needle and you select a stitch that cannot be sewn with twin needle. Press the OK button to close the pop-up.



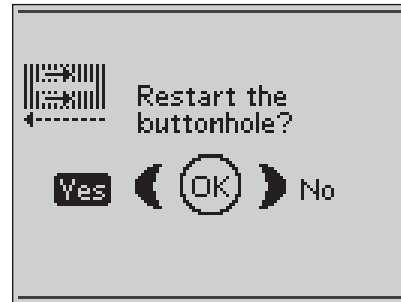
### **This stitch cannot be sewn with Stitch Width Safety on**

This pop-up message appears when the machine is set for Stitch Width Safety and you select a stitch that is wider than 0 mm.



### **Restart the buttonhole?**

If you are sewing a buttonhole and stop to adjust the length setting you will get this question once you start sewing again. If you select "Yes", the machine will restart and sew the buttonhole from the beginning with the new settings. If you select "No", the change will be cancelled and the machine will continue sewing the rest of the buttonhole with the previous settings. Use the arrow buttons to select "Yes" or "No" and press the OK button.



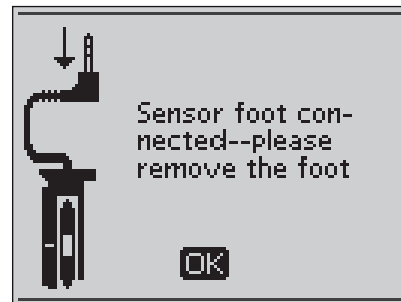
### **Sensor One-Step Buttonhole Foot line up - "Adjust white area to white line"**

When you insert the fabric for sewing a buttonhole, the wheel of the Sensor One-Step Buttonhole Foot might move. A pop-up message prompts you to line up the white area with the white line. Line up the white areas and close the pop-up message by pressing the OK button.



### **Sensor One-Step Buttonhole Presser Foot connected**

The Sensor One-Step Buttonhole Foot can only be used for the buttonhole stitches recommended for the foot. If the Sensor One-Step Buttonhole Foot is connected and you select a stitch that is not possible to sew with the foot, this message will appear when you start to sew. Remove the foot or select a buttonhole that can be sewn with the Sensor One-Step Buttonhole Foot. Close the pop-up message by pressing the OK button.



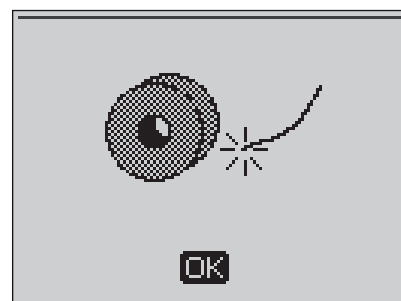
### **Machine set for free motion sewing**

This message is shown when the machine is set to Free Motion Floating or Free Motion Spring Action and you turn on the machine. Close the pop-up message by pressing the OK button.



### **Bobbin thread low**

When the bobbin thread is running low, a pop-up message appears giving you an advanced notice that you'll soon need to change the bobbin. This gives you an opportunity to plan when you want to change your bobbin. If you want to continue sewing without changing the bobbin, touch the foot control, but do not close out the pop-up.



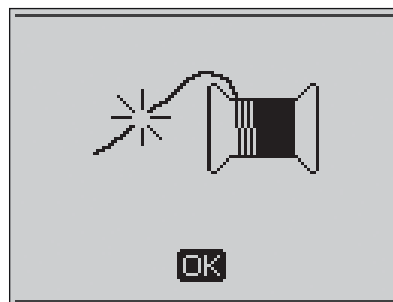
## Remove thread from under stitch plate and in bobbin area

When this pop-up appears you need to clean the area under the stitch plate from thread and lint in order for the Selective Thread Cutter to cut properly. Close the pop-up message by pressing the OK button.



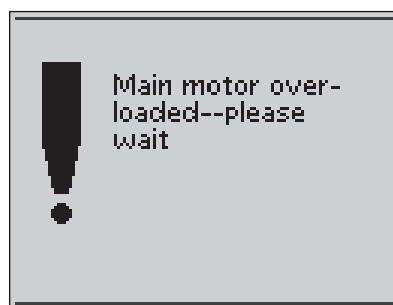
## Check upper thread

Your machine stops automatically if the top thread runs out or breaks. Re-thread the top thread and close the pop-up message by pressing the OK button.



## Main motor overload

If you are sewing on very heavy fabric or if the machine is blocked when sewing, the main motor can get overloaded. The pop-up message will close when the main motor and power supply is secure.



## The stitch cannot be programmed

This message is shown if you try to program or add a buttonhole, bartack, darning stitch or the sew-on-button stitch to a program. All stitches in your sewing machine are programmable except for these. Close the pop-up message by pressing the OK button.



## The stitch cannot be saved

This message is shown if you try to save a buttonhole, bartack, darning stitch or the sew-on-button stitch to My Stitches. All stitches in your machine can be saved in My Stitches except for these. Close the pop-up message by pressing the OK button.



## Program too long to add more stitches

If you try to add more than 20 stitches or letters in the same program this message is shown. Close the pop-up message by pressing the OK button.

*Note: If you add a FIX, STOP or a Selective Thread Cut to the program these will each use one memory space in the program.*



## Delete program?

This pop-up message will ask you to confirm when you have chosen to delete an entire program in Programming Mode. Select Yes or No with the arrow buttons and press OK.



## The combination of commands is incorrect

If you are programming stitches or letters and try to insert any of the commands STOP, FIX or Selective Thread Cut into a stitch program in an order that is not allowed, this message will appear. Close the pop-up message by pressing the OK button.



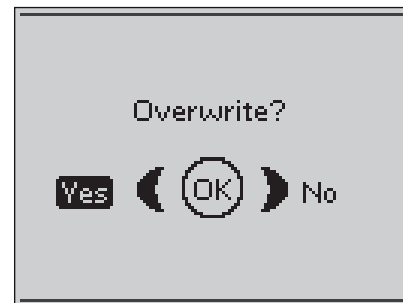
## Commands removed from program

If you try to insert a previously saved program into a new one, the result may be that the commands are put in an order that is not allowed. To avoid this, the commands will be removed from the program. Close the pop-up message by pressing the OK button.



## Overwrite?

If you choose to save a stitch or a program in a memory that is not empty this message will appear asking if you wish to overwrite the previously saved stitch/program with the new one. Select Yes or No with the arrow buttons and press the OK button.



## Delete?

This message will ask you to confirm when you have selected to delete a stitch or program from My Stitches. Select Yes or No with the arrow buttons and press the OK button.



## SEWING TECHNIQUES

This section of the User's Guide guides you through the sewing techniques found on the Exclusive SEWING ADVISOR™ feature, other basic sewing techniques and how to use the specialty stitches on your machine.



# BASIC SEWING TECHNIQUES

## SEAM

A seam sews two pieces of fabric together with a seam allowance that will usually be pressed open. In most cases, edges of the seam allowance are finished with an overcast stitch before sewing the seam.

Seams in stretch fabric must stretch with the fabric. The stretch stitch makes a stretchy seam that is suitable for sewing together pieces of light stretch fabric.

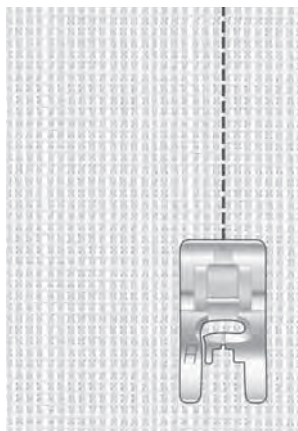
**FABRIC:** Woven medium, cut in two.

**SELECT:** Woven medium fabric and Seam technique. (The Exclusive SEWING ADVISOR™ feature selects a straight stitch.)

**USE:** Presser foot A and size 80 needle as recommended.

**SEW:**

- Place fabrics right sides together. Put the fabric in position under the presser foot. Line up the edge with the 5/8" (15 mm) seam guide.
- Step on the foot control. The presser foot lowers automatically.
- Sew a seam. When finished, press the Selective Thread Cutter. The Selective Thread Cutter cuts top and bobbin threads and the presser foot raises so you can remove your project.



*Straight stitch*

Straight stitch can also be used for topstitching. For a more visible topstitch, lengthen the stitch and use heavier thread with a larger size needle.

**FABRIC:** Stretch light, cut in two.

**SELECT:** Stretch light fabric and Seam technique. (The Exclusive SEWING ADVISOR™ feature selects a stretch stitch.)

**USE:** Presser foot A and size 75 stretch needle as recommended.

**SEW:**

- Place fabric pieces right sides together. Put the fabric in position under the presser foot. Line up the edge with the 3/8" (10 mm) seam guide for a 5/8" seam.
- Step on the foot control. The presser foot lowers automatically.
- Sew a seam. When finished, press the Selective Thread Cutter. The Selective Thread Cutter cuts top and bobbin threads and the presser foot raises so you can remove your project.



*Stretch stitch*

## OVERCAST

Overcast fabric edges to prevent fraying and to help them lay flat. It is easiest to overcast before the garment is sewn together. Presser foot J is recommended for light and medium weight fabric to prevent puckering along the edge. Presser foot B is used for heavy weight fabric. Your Exclusive SEWING ADVISOR™ feature will select the best stitch length and stitch width for the fabric weight and recommend the presser foot and needle.

**FABRIC:** Woven medium.

**SELECT:** Woven medium fabric and Overcast technique. (The Exclusive SEWING ADVISOR™ feature selects a three-step Zig Zag stitch.)

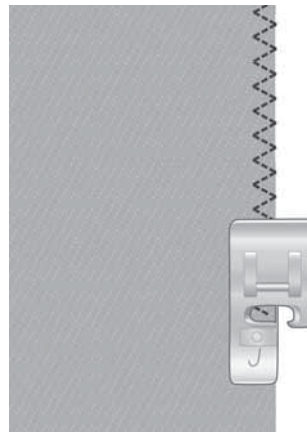
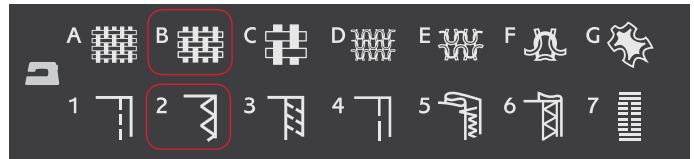
**USE:** Presser foot J and size 80 needle as recommended.

Place the edge of a single thickness of fabric under presser foot J with the wire guide along the edge of the fabric. The three-step Zig Zag stitch sews over the wire guide to keep the edge of the fabric flat.

**SEW:**

- Step on the foot control. The presser foot lowers automatically.
- Sew to overcast the edge of the fabric.
- Press the Selective Thread Cutter.

*Note: It is not necessary to overcast leather or vinyl because they do not fray. However, the Exclusive SEWING ADVISOR™ feature allows you to, if desired. Select Leather/Vinyl fabric and Overcast technique on your Exclusive SEWING ADVISOR™ feature. (The Exclusive SEWING ADVISOR™ feature selects a Zig Zag stitch).*



## SEAM AND OVERCAST

The Seam/Overcast stitch sews the seam and overcasts the edges all at one time. There are a number of different Seam/Overcast stitches on your machine. Your Exclusive SEWING ADVISOR™ feature will select the best one for your fabric and make all adjustments automatically.

**FABRIC:** Stretch light, cut in two.

**SELECT:** Stretch light and Seam/Overcast on the Exclusive SEWING ADVISOR™ feature.

**USE:** Presser foot J and size 75 stretch needle as recommended.

### SEW:

- Place fabric pieces right sides together. Put the fabric in position under the presser foot with the wire guide on the foot along the edge of the fabric.
- Step on the foot control. The presser foot lowers automatically.
- Seam/Overcast along one edge.
- Press the Selective Thread Cutter.

Repeat the Seam/Overcast technique on stretch heavy fabric and on woven heavy fabric. Your Exclusive SEWING ADVISOR™ feature will select the best stitch, stitch length, stitch width, tension, presser foot pressure and sewing speed for each fabric type. Follow other recommendations given on the GraphicDisplay.



*Stretch Heavy and  
Seam/Overcast*



*Woven Heavy and  
Seam/Overcast*

## BASTE

Basting is temporary stitching for fitting garments, gathering and marking.

The Exclusive SEWING ADVISOR™ feature automatically sets a long stitch length and reduces the tension so the threads are easy to remove or to pull for gathering.

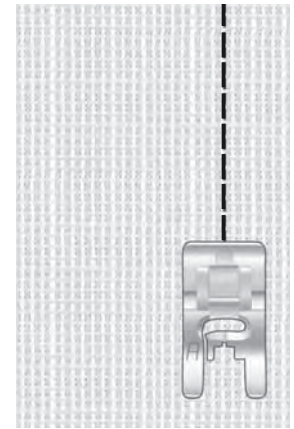
**FABRIC:** All types of fabric.

**SELECT:** The fabric you are using and baste. (The Exclusive SEWING ADVISOR™ feature selects the Baste stitch)

**USE:** Presser Foot A and the needle recommended for your fabric.

**SEW:** Place the fabrics right sides together. Put the fabric in position under the presser foot with 5/8" (15 mm) seam allowance. Stitch along seam line. Press Selective Thread Cutter.

To remove stitching pull the bobbin thread.



## BLIND HEM

The blind hem creates an invisible hem on garments. There are two types of blind hem; one is recommended for medium to heavy woven fabrics, the other for stretch.

**FABRIC:** Stretch medium/heavy or woven medium/heavy

**SELECT:** The fabric you are using and the Blind hem technique.

**USE:** Blind Hem Foot D and the needle recommended for your fabric.

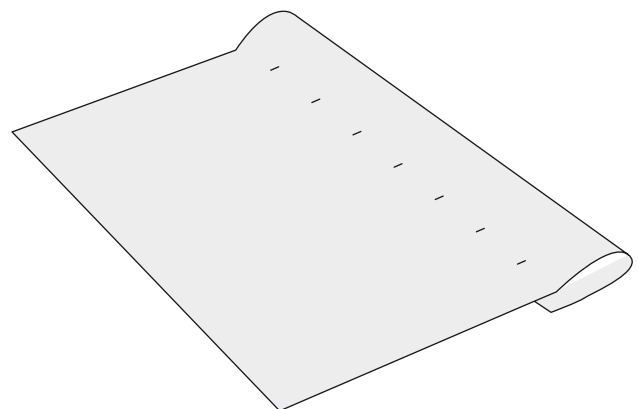
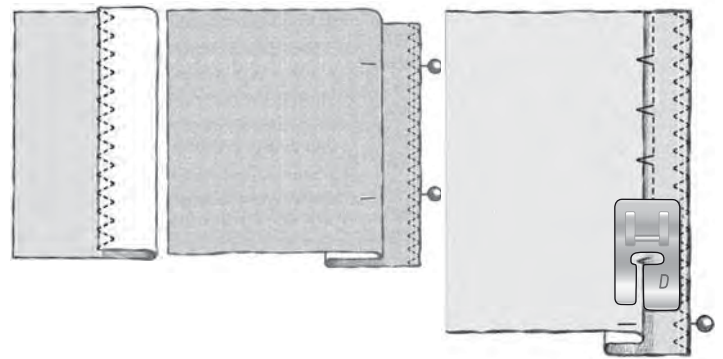
Fold the fabric as illustrated. Make sure the folded edge of the fabric follows the inside of the right “toe” of Blind Hem Foot D.

Step on the foot control. The presser foot lowers automatically.

The left swing of the needle should just catch the edge of the folded fabric.

If necessary, adjust the stitch width as needed to barely “catch” the fold.

*Note: The blind hem technique is not recommended for light weight fabric or leather/vinyl. If you select the blind hem and light woven, light stretch or leather and vinyl you will hear a beep and the technique will be unselected.*



## HEM

The Hem technique on your Exclusive SEWING ADVISOR™ feature will select the visible or topstitch hem that is best for your fabric weight and type. For woven fabric and leather and vinyl, a straight stitch is selected. For stretch fabrics, stitches that stretch are selected.

### Jeans Hem

When sewing over seams in extra heavy fabric or a blue jeans hem, the foot can tip as it rides over the seam. Use the multipurpose tool to balance the height of the presser foot as you sew.

**FABRIC:** Denim fabric.

**SELECT:** Woven heavy and Hem.

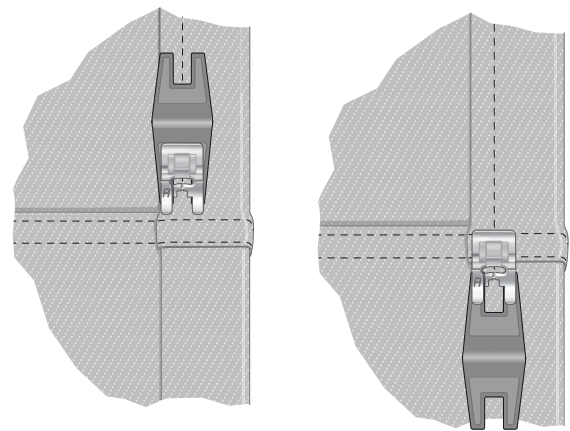
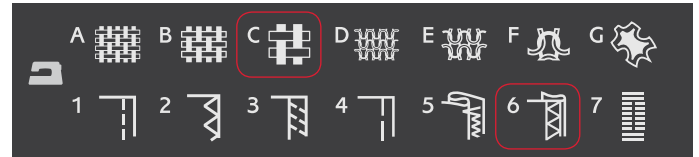
**USE:** Presser foot B as recommended and size 90 needle.

Press Needle Up/Down to select the needle down position. Begin sewing the bottom hem at or near the center back. As you near the side seam, stop sewing. Your machine stops with the needle in the fabric and raises the presser foot. Insert the multipurpose tool from behind.

Both sides of the multipurpose tool are raised. Use the side which corresponds closest to the thickness of the seam. Step on the foot control to lower the presser foot and continue sewing slowly over the thick seam.

Stop sewing again just in front of the seam (notice how the needle is in the fabric). Remove the multipurpose tool and reinsert it under the presser foot from the front.

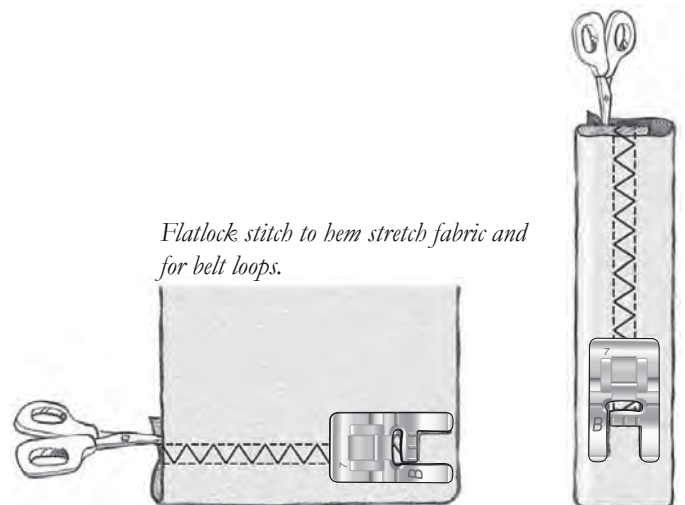
Sew a few stitches until the whole presser foot has passed the seam and is resting on the multipurpose tool. Stop sewing once again. The needle is in the fabric, and the presser foot lifts. Remove the multipurpose tool. Continue sewing the hem.



### Stretch Hem

Select Stretch Medium and the Exclusive SEWING ADVISOR™ feature selects a flatlock stitch. Follow other recommendations given on the GraphicDisplay.

Fold a hem to the wrong side and stitch with flatlock stitch from the right side. Trim away excess fabric. Use this technique for belt loops too.



## SEWING BUTTONHOLES

The buttonholes in your sewing machine are specially adjusted for different kinds of fabric and garments. Learn about different buttonholes and when to use them by studying the stitch table in the overview chapter.

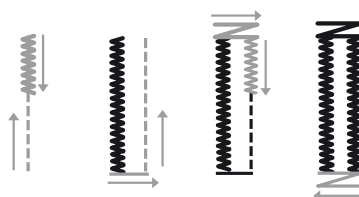
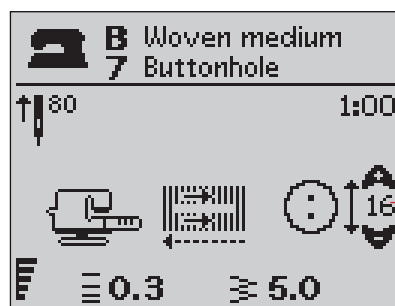
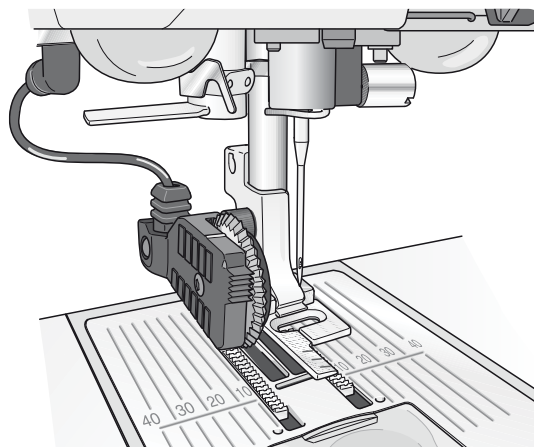
The Exclusive SEWING ADVISOR™ feature will select the best buttonhole and stitch settings for your fabric. Fabric should be interfaced and/or stabilized where buttonholes are to be sewn.

### Perfectly Balanced Sensor One-Step Buttonhole

When you select a buttonhole stitch with the Sensor One-Step Buttonhole Foot connected, you will be able to set the size of the button on the GraphicDisplay using the up and down arrow buttons. When sewing, your sewing machine automatically sews the buttonhole long enough to fit the selected button size. Because the Sensor One-Step Buttonhole Foot measures as it sews, every buttonhole will be the same size.

*Note: The buttonhole size will vary with the thickness and style of your button. Always stitch a sample buttonhole on scrap fabric first.*

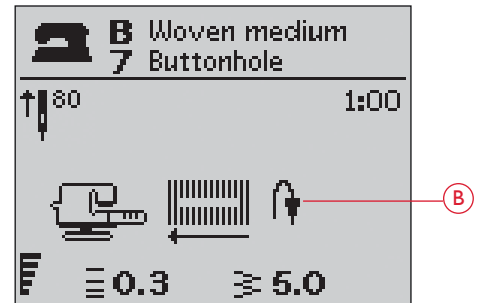
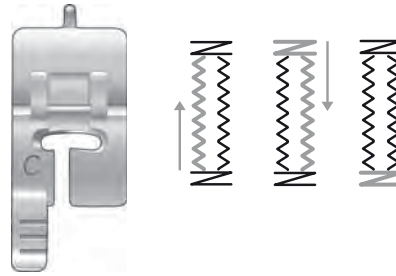
1. Attach the Sensor One-Step Buttonhole Foot.
2. Plug the cord into the socket above the needle area.
3. Measure the button diameter using the button ruler on the front of the machine.
4. Use the up and down arrow buttons to set the button size (A) on the GraphicDisplay. The size can be set between 0-50 mm.
5. Place the fabric and stabilizer under the Sensor One-Step Buttonhole Foot. The measurement wheel can be raised by lifting it, which makes it easier to place the fabric under the presser foot. Use the markings on the left toe of the Sensor One-Step Buttonhole Foot to position the garment edge. Place the edge of the garment at the middle mark to have 5/8" (15 mm) from the edge to the buttonhole.
6. Before sewing, line up white area on the side of the red wheel with the white marking line on the foot.
7. Step on the foot control. The Sensor One-Step Buttonhole Foot lowers automatically. A straight stitch is sewn away from you stabilizing the left buttonhole column, then the satin column is sewn toward you. This is repeated for the right column. The bartacks are also sewn automatically. The arrows on the GraphicDisplay will show when each part of the buttonhole is sewn and in what direction. Keep the foot control depressed until the buttonhole is finished. The machine will stop automatically when the buttonhole is complete.



## Manual Buttonhole

A buttonhole can also be sewn step by step without the Sensor One-Step Buttonhole Foot connected. Use the Reverse button to set the length of the buttonhole.

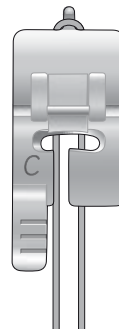
1. Snap on Presser Foot C.
2. Place the fabric and stabilizer under the presser foot. Use the markings on the left toe of the buttonhole foot to position the garment edge. Place the edge of the garment at the middle mark to have 5/8" (15 mm) from the edge to the buttonhole.
3. Begin sewing the buttonhole. The sewing machine will sew the left column in reverse. A reverse icon (B) is shown on the GraphicDisplay indicating that you need to press the Reverse button to step to the next part of the stitch. When the buttonhole has reached the desired length, press the Reverse button. Your sewing machine will bartack the end and stitch the right side.
4. Sew to the starting mark and press the Reverse button to sew the second bartack. Keep the foot control depressed until the buttonhole is finished. The machine will stop automatically when the buttonhole is complete.



## Corded Buttonhole (Stretch fabrics)

When sewing buttonholes in stretch fabrics we recommend cording the buttonhole to increase the stability and to keep the buttonhole from stretching out.

1. Loop a piece of heavy thread or pearl cotton over the finger at the back of Presser Foot C.
2. Stitch a buttonhole. Let the satin buttonhole columns stitch over the cord.
3. Stop sewing before the last end of the buttonhole is sewn. Lift the cord off the finger and pull out the slack.
4. Cross the cord in front of the needle and stitch the end of the buttonhole over the cord.



## SEWING ON BUTTONS

Sew buttons, snaps, hooks and eyes quickly with your sewing machine.

Select the fabric you are using and the stitch for sewing on buttons 1:9.

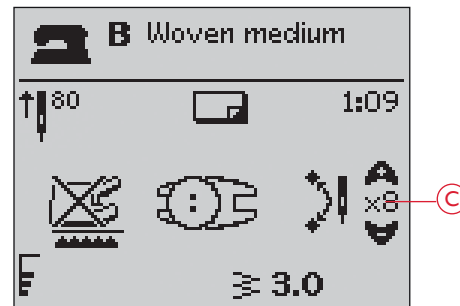
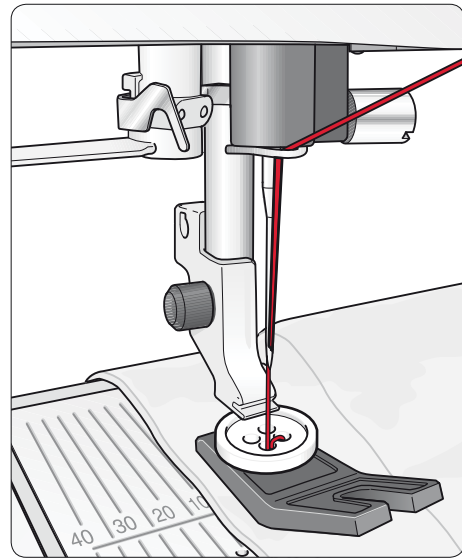
1. Snap off the presser foot and lower the feed teeth.
2. Place the fabric, multipurpose tool and button under the ankle with the holes in the button lined up with the swing of the needle. Check the swing of the needle by pressing the mirror side to side button to be sure the needle will not hit the button. Bring the needle down into the holes of the button with the handwheel to verify.

*Tip: When using the multipurpose tool, the button is stitched to the fabric leaving a shank. If stitching without the multipurpose tool the button is stitched to the fabric without distance.*

*Note: The recommended width of 3.0 is set for most buttons. If you sew a tiny button or a very large coat button, decrease (-) or increase (+) the stitch width until the swing of the needle sews in the holes of the button.*

3. Set the number of stitches to sew on the button (C) by pressing the up and down arrow buttons. Six to eight stitches is standard.
4. Press the foot control. The sewing machine will sew the number of stitches set on the display and then tie off and stop.
5. Raise feed teeth when button sewing is completed.

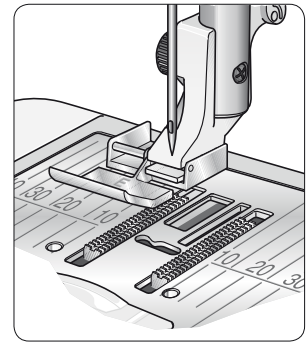
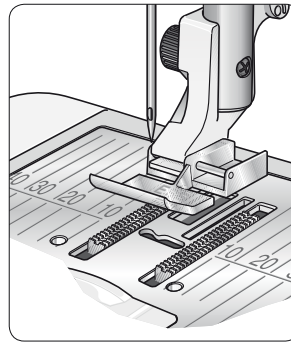
*Tip: Place the thin end of the multipurpose tool under the button when sewing on light fabrics. Use the thick end for heavier fabrics. Hold in place on the fabric with transparent tape.*



## SEWING ZIPPERS

The Zipper Foot E can be snapped on either the right or the left of the needle, making it easy to sew both sides of the zipper. To sew the other side of the zipper, reposition the Zipper Foot.

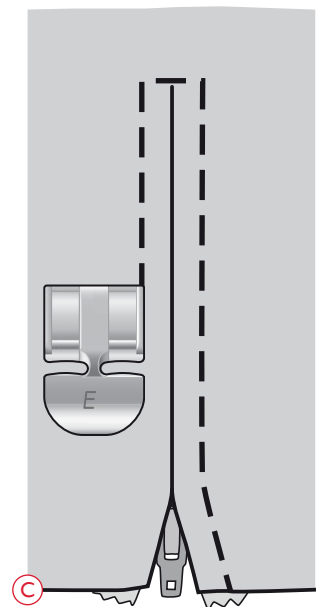
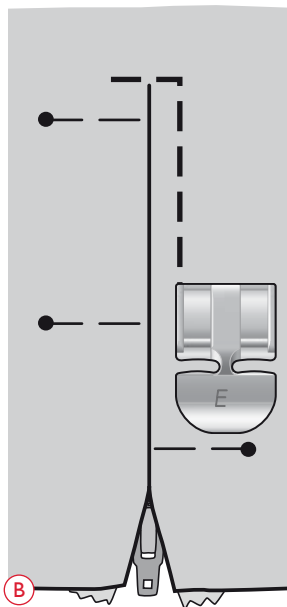
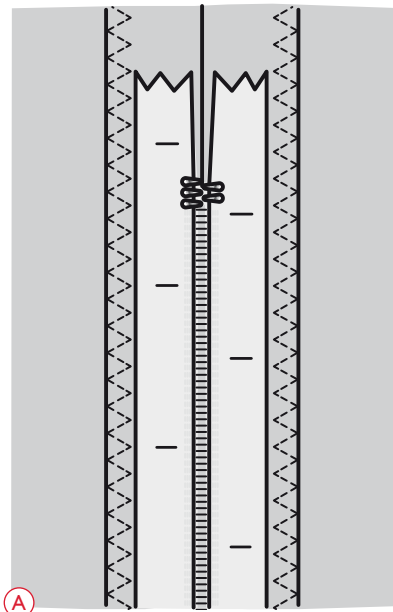
Move the needle position far left or far right to stitch close to the zipper teeth or cording.



### Center Zipper

1. Sew the two fabrics right sides together along the 5/8" (15 mm) seam line, stopping at the notch for the zipper placement.
2. Baste the remaining seam where the zipper will be placed. Press the seam open. Place the zipper right side to the pressed open seam allowance, placing the zipper stop at the notch. Pin the zipper on the right side so it stays in place (A).
3. Select straight stitch and move the needle position to the left. Snap on the Zipper Foot E so the needle is on the left side of the foot. Place fabric under the foot right side up with the zipper foot on the right side of the zipper.
4. Begin stitching across the bottom, turn the fabric and stitch the right side of the zipper to the top (B).
5. To avoid fabric shifting, sew the left side of the zipper in the same direction. Snap on the Zipper Foot E so the needle is on the right side of the foot. Move the needle position to the right.
6. Begin stitching across the bottom, turn the fabric and stitch the left side of the zipper sewing from the bottom to the top (C).
7. Remove the basting stitches.

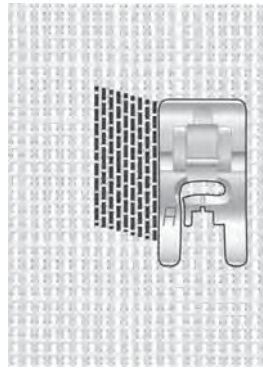
*Note: To adjust the position of the stitching line, adjust the needle position with the +/- buttons.*



## DARNING AND MENDING

Darning a small hole or a tear before it becomes larger can save a garment. Choose a fine thread in a color as close to your garment as possible.

1. Place the fabric in position under the presser foot.
2. Start sewing above the hole and over it.
3. Once over the hole, press the Reverse button. Continue sewing. The machine sews back and forth across the hole 14 times and then stops.
4. To repeat the stitch with the same size, press the STOP button. Reposition your fabric, then step on the foot control to sew again. The stitch will now repeat the same size darning square. The machine will stop automatically when the stitch is completed.

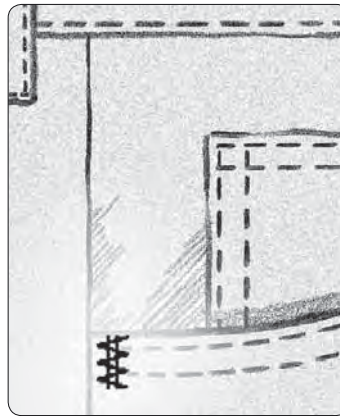


*Select fabric type and stitch 1:20*

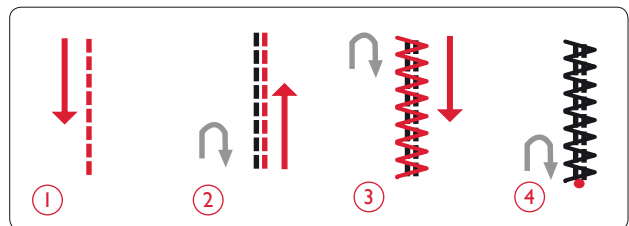
## BARTACK (MANUAL)

Secure elastic ends, drapery pleats, belt loops, and pocket corners with the same look as ready-to-wear.

1. Place fabric under the presser foot.
2. Press Sensor Foot Down and Pivot twice and adjust the fabric if necessary.
3. Step on the foot control, the Sensor Foot lowers automatically and stitch.
  - Your machine will sew a straight stitch until you press Reverse.
  - Your machine will then sew in reverse until you press reverse again.
  - Your machine will then sew a zigzag, covering the straight stitches.
  - Press reverse to automatically tie off.



*Woven Heavy and stitch 1:21*

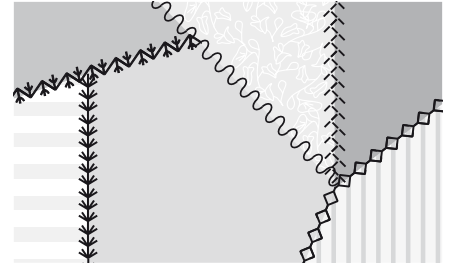


## QUILTING

A quilt usually consists of three layers, two layers of fabric with a layer of batting sandwiched between. To sew three layers together, you have a wide variety of stitches and techniques to choose from. When the quilting is finished simply bind the edges or make it into cushions, wearable art or other smaller projects.

### CRAZY QUILT STITCHING

Embellish your quilt with decorative stitches. The stitches can be sewn in a coordinating or contrasting color. Decorative threads like rayon embroidery or heavy cotton threads are sometimes used. Find stitches perfect for crazy quilting on Stitch Menu 2.



### HAND-LOOK QUILTING

Simulate the look of handmade quilting with invisible thread and the Hand-look Quilting stitch (2:11). This stitch is pre-set with a high thread tension to get the accurate hand stitched look. Thread the needle with clear invisible thread and the bobbin with a color of thread that coordinates with your fabric.

Stitch along one of the seams of your project. The handlook effect is created as the bobbin thread is pulled up to the top of the quilt.

*Note: When sewing with the hand-look quilting stitch, the result depends on what fabric, batting and thread you are using. Be sure to try the stitch on a sample first. Adjust the thread tension as needed for your project.*

### FREE MOTION QUILTING

Free-motion quilting not only keeps the top, batting and backing together, but it also adds texture and interest to your quilt.

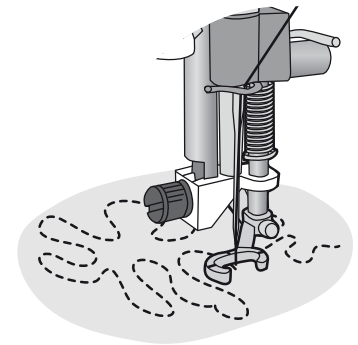
There are several techniques to use when free motion quilting. Decorate your quilt as you like, only your imagination sets the limits. Two free motion techniques are stippling and circles.

Free motion stippling is typically a tightly and evenly spaced meandering stitch line. When stippling, draw squiggles with the needle as you sew. Another technique is to make circular motions on the fabric as you sew creating a stone shaped pattern.

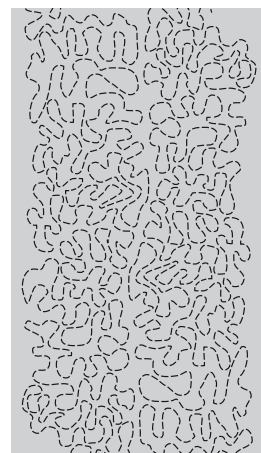
Free-motion quilting is done with the feed teeth lowered. You move the fabric manually to determine the stitch length. When free motion quilting, use the Open Toe Free Motion Spring Foot (Optional Accessory, part number 4130376-46).

Begin by basting your quilt through all layers, starting from the center of your quilt and working out.

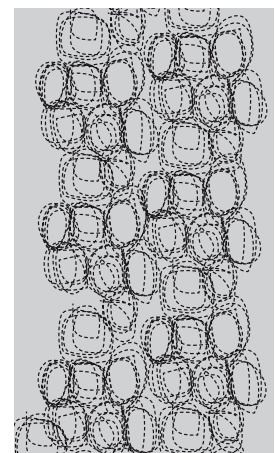
1. Attach the Open Toe Free Motion Spring Foot and lower the feed teeth. Select Needle Up/Down to put the needle in down position.
2. Sew at a constant medium speed, moving the fabric randomly, this will help to keep the stitches even. The length of the stitch is created as you move the fabric.



*Open Toe Free Motion Spring Foot  
(Optional Accessory, part number 4130376-46)*



*Free motion stippling*











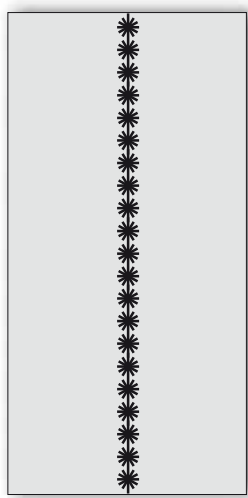
*Free motion with circular motions*

*Tip! Practice free motion sewing on scraps of the fabric and batting from your quilt. It is important to move your hands at the same speed as the needle to prevent stitches that are too long or too short. Maintaining a consistent speed while free-motion sewing will also help keep stitches even.*

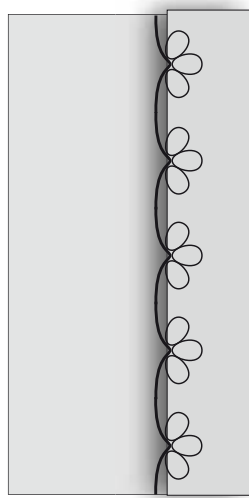
## SPECIALTY STITCHES

The special sewing technique stitches are stitches that are sewn with special presser feet (optional) to create exciting effects. These stitches are 4:46-49. When selected this is indicated by the optional presser foot icon (A) on the GraphicDisplay. The special sewing technique stitches are pictured and described below.

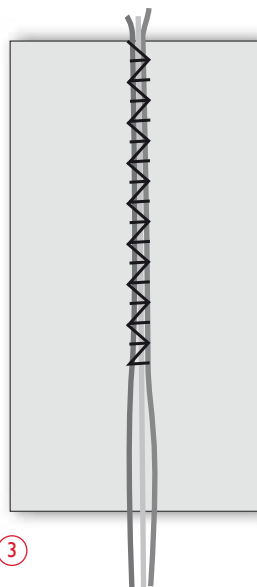
Stitch	Stitch Number	Presser Foot	Technique
	4:46	Specialty Candlewicking Foot (part number: 4131623-45) 	Creates a “French Knot” stitch. The presser foot has a deep tunnel on the underside to feed over the built-up stitches.
	4:47	Left Edge Topstitch Foot (part number 4127842-45) 	Use these stitches together with the foot to give beautiful embellishment/topstitch to your projects. The underside of the foot is designed to glide along the folded edge.
	4:48	Three Hole Yarn Foot (part number: 4131870-45) 	Decorate your projects with different types of decorative cords or yarn. This foot easily guides the yarn through the opening in the front of the foot. The yarn will be stitched over creating a beautiful braid embellishment.
	4:49	Join and Fold Edging Foot (part number 4132488-45) 	Use this foot together with different types of edgings such as lace, embroidered trims or various fabrics. Combined with these stitches it will create an exciting effect.



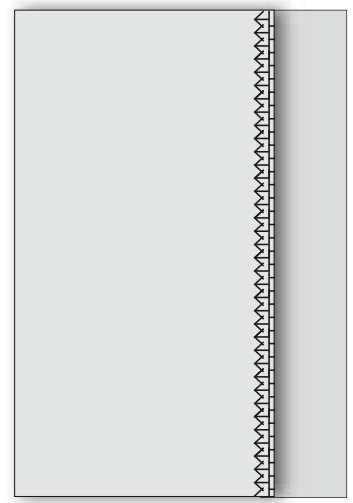
1



2



3



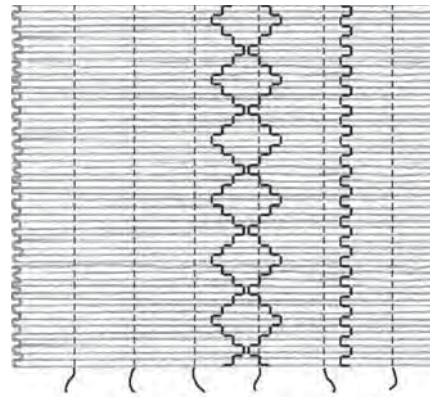
4

## SMOCKING STITCHES

Smocking is a technique used to gather fabric so that it can stretch. Smocking has been used since the Middle Ages and was commonly used in garments where buttons were undesirable. The fabric was gathered or pleated and the gathers were then held in place by different types of stitches.

Today we have a more modern way to do smocking. Use light weight fabric, that is already pleated and decorate it with the smocking stitches in your machine (3:37-3:40). The finished result imitates hand smocking as it was made hundreds of years ago.

1. Select stitch 3:39. Stitch the smocking stitch across the pleated fabric, using one of the pleating threads as a guideline to keep stitching row straight.
2. Reselect the same stitch and mirror it side to side. Begin sewing at exactly the same starting point. Stitch next to the first row of stitching matching the points of this “wave” smocking stitch.
3. Select stitch 3:37 for the cable stitch, and stitch an additional row of smocking.
4. Continue decorating the fabric.



*Light Weight fabric and any of the smock stitches*

## EMBROIDERY SET UP

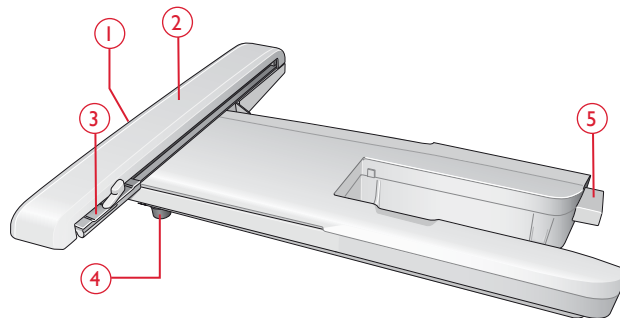
This section of the User's Guide will help you get started to Embroider.



## EMBROIDERY UNIT OVERVIEW

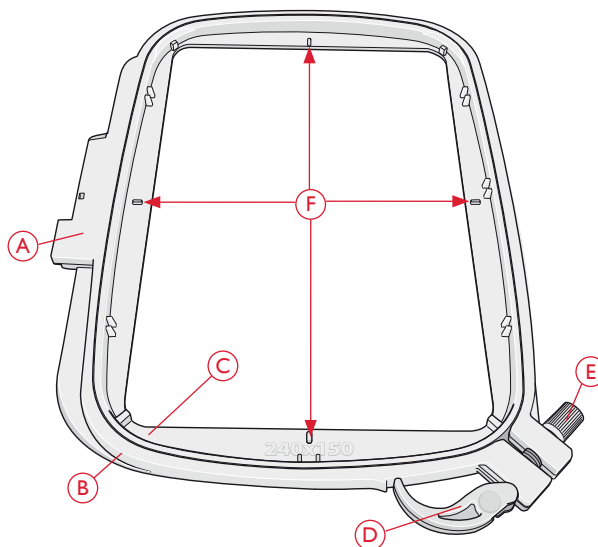
(type BE19)

1. Embroidery unit release button (underside)
2. Embroidery arm
3. Embroidery hoop attachment
4. Level adjustment feet
5. Embroidery unit socket



## EMBROIDERY HOOP OVERVIEW

- A Embroidery hoop connector
- B Outer hoop
- C Inner hoop
- D Quick release
- E Retaining screw
- F Center marks



## DESIGNS

75 designs and 1 embroidery font are stored on the USB embroidery stick delivered with your machine. We recommend copying the font and designs to your computer as an easily accessible backup if you should lose the USB embroidery stick or if you temporarily want to remove the designs from the stick.

## DOWNLOAD BACKUP DESIGNS

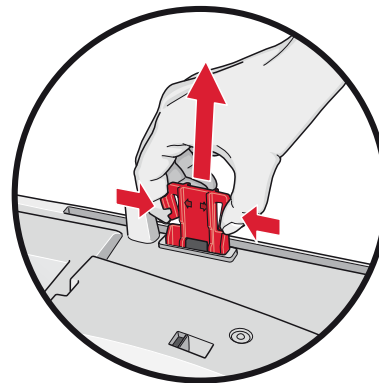
All DESIGNER TOPAZ™ 25 designs are also available on our website for backup. Go to HUSQVARNA VIKING® website at [www.husqvarnaviking.com](http://www.husqvarnaviking.com), click on Support and select DESIGNER TOPAZ™ 25. When downloading the designs you will be asked to enter a code. Enter number:

**9200**

## DESIGNER TOPAZ™ 25 SAMPLER BOOK

Page through the DESIGNER TOPAZ™ 25 Sampler book for designs.

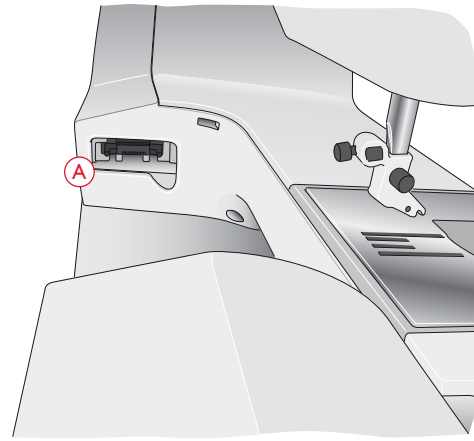
The design number, stitch count (number of stitches in the design) and the design size are displayed next to each design. The suggested thread color for each color block is shown.



When removing the embroidery unit from the box for the first time, be sure the shipping brace on the underside of the embroidery unit has been removed.

## CONNECT THE EMBROIDERY UNIT

1. Slide the accessory box off.
2. There is a socket at the back of the machine (A). Slide the embroidery unit onto the free arm of the machine until it plugs firmly into the socket. If needed use the level adjusting feet so that the machine and embroidery unit are even. If the machine is turned off, turn it on.
3. A pop-up message tells you to clear the embroidery area and remove the hoop for calibration. Press OK. The machine will calibrate and the embroidery arm will move to the ready position. This calibration will set your embroidery functions each time you slide on the embroidery unit.



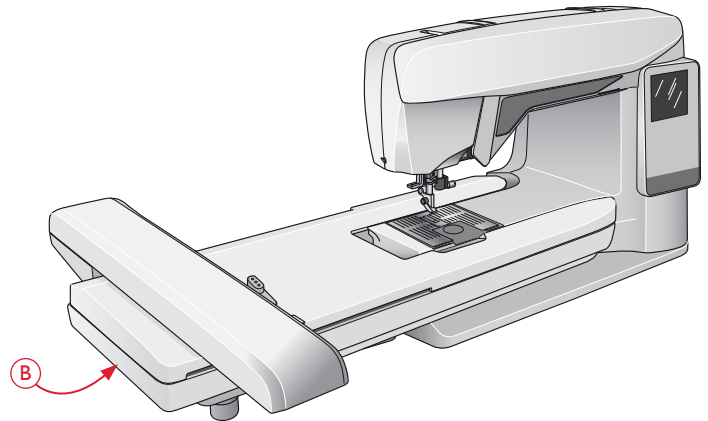
*Note: DO NOT calibrate the machine with the embroidery hoop attached as this can damage the needle, presser foot, hoop and/or the embroidery unit. Be sure to clear all materials from around the machine before calibrating so the embroidery arm does not bump into anything while calibrating.*

## REMOVE THE EMBROIDERY UNIT

1. To store the embroidery unit, remove the hoop and move the embroidery arm to Park Position by pressing the Needle Up/Down button. You can also select Park Position in the Hoop Options Menu. Press the Hoop Options button to enter the menu.

*Note: It is very important that the hoop is removed, otherwise the hoop, needle or presser foot may be damaged.*

2. Press the button at the left, underneath the embroidery unit (B) and slide the unit to the left to remove it.



## ATTACH THE EMBROIDERY FOOT R

When embroidering, use the Embroidery foot R. See page 21 for instructions on how to change presser foot.

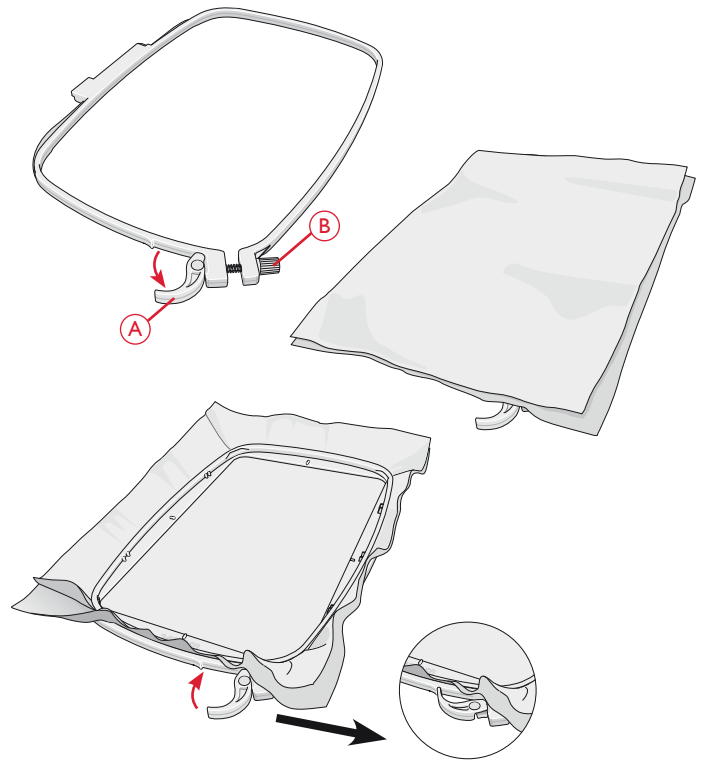
*Note: You can also use the optional Sensor Q-foot when embroidering (part number 413192045). The machine needs to be set in Free Motion Spring Action Mode when embroidering with the optional Sensor Q-foot, see page 31.*

## TO HOOP THE FABRIC

For the best embroidery results, place a layer of stabilizer beneath the fabric. When hooping stabilizer and fabric make sure that they are smooth and securely hooped.

1. Open the Quick Release (A) on the outer hoop and loosen the screw (B). Remove the inner hoop. Place the outer hoop on a firm flat surface with the screw on the lower right. There is a small arrow in the center of the lower edge of the hoop which will line up with a small arrow on the inner hoop.
2. Place the stabilizer and fabric, with the right sides facing up, on top of the outer hoop. Place the inner hoop on top of the fabric with the small arrow at the bottom edge. If you can see the hoop size in the lower part of the inner hoop, you have attached it correctly.
3. Push the inner hoop firmly into the outer hoop.
4. Close the Quick Release (A). Adjust the pressure of the outer hoop by turning the retaining screw (B). The fabric should be taut in the hoop for the best results.

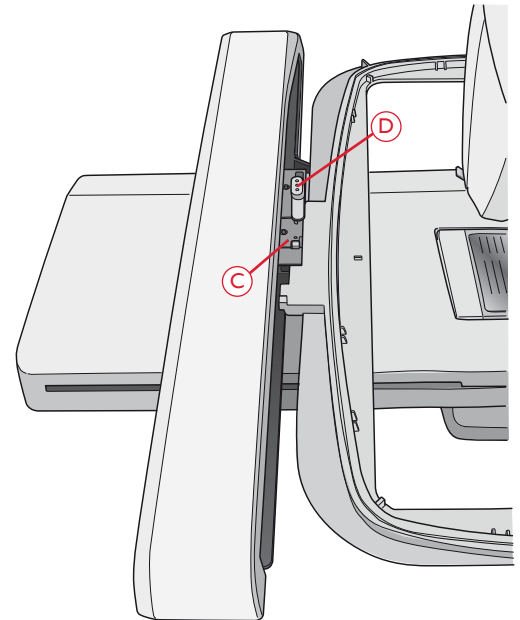
*Note: When embroidering additional designs on the same fabric, open the quick release, move the hoop to the new position on the fabric and close the quick release. When changing type of fabric, you might need to adjust the pressure using the retaining screw. Do not force the quick release.*



## SLIDE ON/OFF THE HOOP

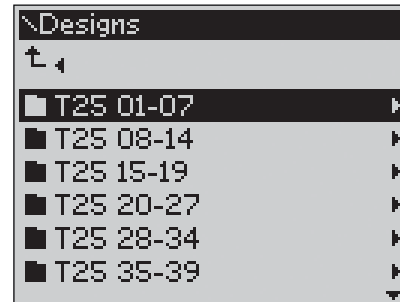
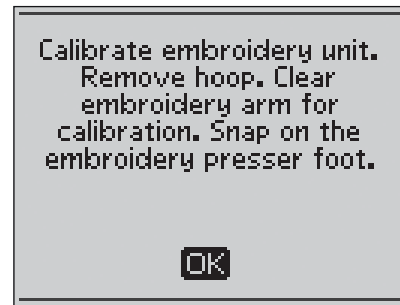
Slide the hoop connector into the hoop attachment (C) from front to back until it clicks into place.

To remove the hoop from the embroidery arm, press the grey button (D) on the hoop attachment and slide the hoop towards you.



## GETTING STARTED EMBROIDERING

1. Attach the embroidery unit. The machine starts up in Embroidery Mode. A pop-up message prompts you to clear the embroidery area for calibration. Press OK to calibrate and move the embroidery arm to ready position.
2. The load menu automatically opens. Make sure that the USB embroidery stick is connected. Select your design using the arrow buttons and confirm with OK. The design is placed in the center of the hoop.
3. Attach the embroidery foot and insert a bobbin with lightweight bobbin thread.
4. Hoop a piece of fabric and stabilizer and slide the hoop onto the embroidery arm.
5. Your machine automatically selects the smallest hoop size that fits the design. Make sure that the hoop attached matches the hoop size shown on the GraphicDisplay or change hoop size by pressing the Hoop Options button and select correct size from the list (see page 72).
6. Thread the machine with the first color in the color block list. To show the complete color block list on the GraphicDisplay press the Embroidery Info button.
7. Clear sufficient space to accommodate movement of the embroidery arm and the hoop. Hold the needle thread and press the Start/Stop button or the foot control. The machine starts embroidering.



8. After stitching a few stitches, the machine stops and a pop-up message appears on the GraphicDisplay asking you to cut the thread end. Cut the thread and press Start/Stop to continue embroidering.

*Note: If "Automatic Jump Stitch Trim" is activated in the SET Menu the machine will cut the thread end automatically and the machine will not stop. Hold the thread end when starting to embroider so that you can easily remove it when cut.*



9. When the first color is completed, your machine stops. A pop-up message appears on the GraphicDisplay asking you to change color. Re-thread with the next color and continue embroidering by pressing Start/Stop. Each color segment is tied off at the end and the needle thread is cut.

*Note: If "Automatic Jump Stitch Trim" is activated in the SET Menu, the machine will also cut the thread after you have changed to a new thread color. When you start embroidering again, hold the thread end so you can easily remove it when cut.*

*Not all designs are programmed for Automatic Jump Stitch Trim. Jump stitch trim commands can be added to any design using the downloadable software. See page 24.*



10. When the embroidery is completed your machine stops automatically. The needle and bobbin thread are cut. The needle and presser foot raise automatically for easy removal of the hoop. A pop-up message informs you that your embroidery is finished. Close the pop-up message by pressing the OK button



## EMBROIDERY MODE

In this section you will learn how to load, adjust and embroider you designs.



## EMBROIDERY MODE

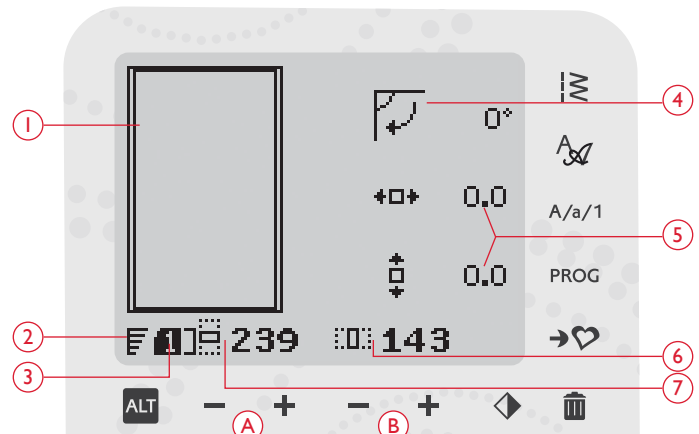
In Embroidery Mode you can adjust the position and size of your designs and stitch them out. The machine automatically switches to Embroidery Mode when the embroidery unit is attached. Functions used when embroidering are now shown.

### EMBROIDERY MODE OVERVIEW

In Embroidery Mode there are two different views on the GraphicDisplay; Embroidery Edit view and Embroidery Stitch-out view. Use the Alternate View button to switch between the views.

#### EDIT VIEW

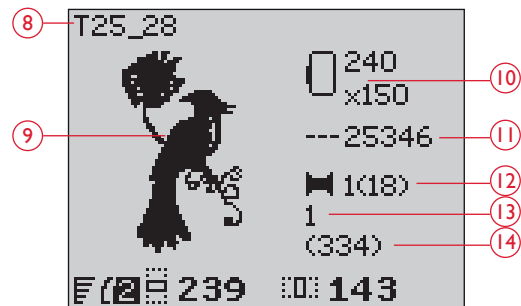
1. Embroidery field
2. Embroidery speed indicated by five levels. Reduce or increase the speed by pressing SPEED + or SPEED - (see page 27).
3. Current view (1: Edit, 2: Stitch-out)
4. Design rotation. Indicates how many degrees a design has been rotated from its original position.
5. Horizontal and vertical position of design. Shows in millimeters how much the design has been moved from its original position (0.0).
6. Design width. Reduce or increase the design width by pressing - or + (B) (see page 71).
7. Design height. Reduce or increase the design height by pressing - or + (A) (see page 71).



*Embroidery Mode, Edit view*

#### STITCH-OUT VIEW

8. Name of loaded design
9. Design preview
10. Selected hoop. When a design is loaded to the embroidery field the smallest hoop that fits the design is automatically selected.
11. Remaining stitches in embroidery. Will count down as you embroider.
12. Current color block and total number of color blocks in embroidery
13. Current stitch in the current color block
14. Number of stitches in the current color block



*Embroidery Mode, Stitch-out view*

## LOAD A DESIGN

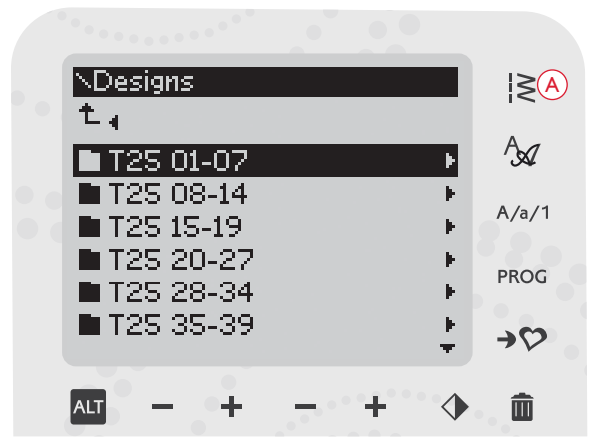
To load a design press the Stitch Menu button (A) with the USB embroidery stick connected. Your machine can load .vp3 embroidery files and .vf3 embroidery font files.

Select a design from the files and folders shown in the menu. Use the arrow up/down buttons to select a folder and then press the OK button or the right arrow button to open it. To go back to the previous folder, press the left arrow button.

Select the design you want to load and press OK to confirm. It will be loaded onto the embroidery field.

*Note: If you have already loaded a design onto the embroidery field, the next design you load will automatically replace the first one.*

*When saving designs on the USB embroidery stick, make sure not to create too many levels of subfolders as this may create a file path that is too long. Also make sure to keep the file name short. When trying to open such a file or folder, an alarm sound will be heard and the file or folder will not open.*



*Tip: Convert your designs between different embroidery formats using the downloadable software. See page 24.*

## LOAD A FONT

One font is stored on the USB embroidery stick upon delivery. To load a font press the Stitch Menu button (A) with the USB embroidery stick connected. Font files are marked with an icon (B) in the list. You can select between three different files with different sizes of the included font, 12 mm, 20 mm and 30 mm. Select the font file you want to load and press OK to confirm. A text editor opens.

Create additional embroidery fonts from fonts available on your PC computer with the HUSQVARNA VIKING® QuickFont software, which is available for download at [www.husqvarnaviking.com](http://www.husqvarnaviking.com) (see page 24).

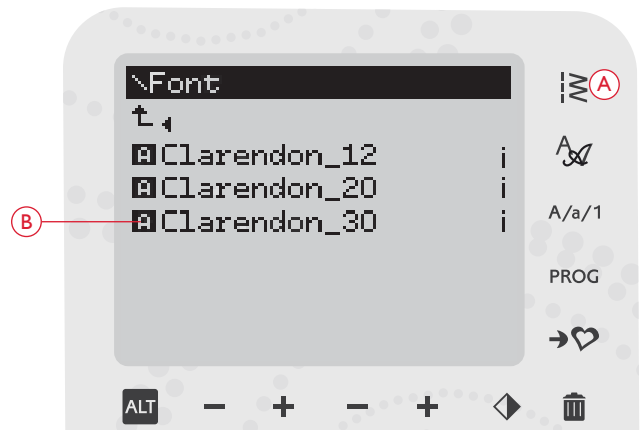
## ADD A LETTER

When loading a font the upper case alphabet is shown in the text editor. Use the arrow buttons to select a letter and press OK to add the letter to the program. To switch to lower case alphabet or numbers press the Shift button (C).

If you wish to add a letter at another position move the cursor in the program by pressing the left/right arrow buttons. The letter will be inserted to the right of the cursor.

*Note: Press the arrow down button to activate the cursor in the program instead of in the alphabet.*

Two numbers are displayed above the program on the left side of the GraphicDisplay (D). The first number is the position of the selected letter in the program. The second number, put in brackets, is the total number of letters in the program. The height and width of the program are also shown on the GraphicDisplay (E).



## DELETE A LETTER

To delete a letter select the letter with the cursor by pressing the arrow buttons and press the Delete button (A).

To delete the whole program, move the cursor to the left of the first position and press the Delete button. A pop-up message will appear asking you to verify the deletion. Select Yes or No with the arrow buttons and press OK.

## LOAD TEXT TO EMBROIDERY

When you want to sew the text, press the PROG button (B) to load the text to Embroidery Mode. The text is now handled as one design and you can make adjustments on the entire text. If you wish to go back to the text editor and make further adjustments on the text before stitching it out press the PROG button in Embroidery Mode.

*Note: All adjustments made in Embroidery Mode will be cancelled if you go back to the text editor.*

## EMBROIDERY INFORMATION

To view information about a design before loading it to Embroidery Mode, select the file in the load menu and press the Embroidery Info button (C). An info view opens where you can see design size and number of stitches and color blocks in the design.

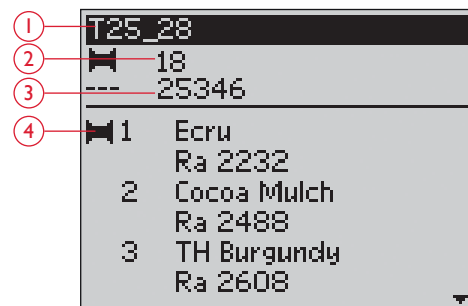
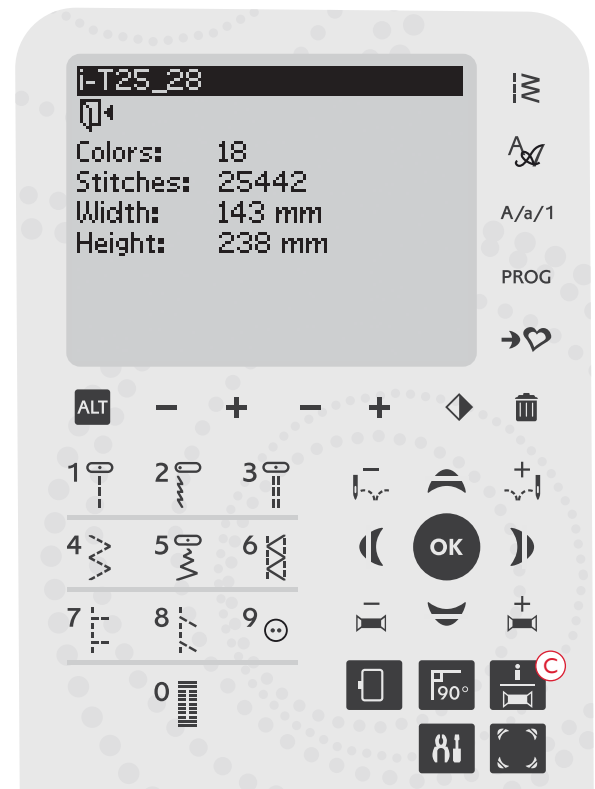
Press the left arrow button to close the Information view and go back to the load menu.

When you have loaded a design into Embroidery Mode, press the Embroidery Info button to view information about the current design.

1. Design name
2. Number of color blocks in the design
3. Number of stitches in the design
4. Color block list. All colors in the loaded design are shown in the order they will be embroidered. The current color block is always placed at the top of the list and is marked with a thread spool. Each listed color shows order, name, thread manufacturer and color code. Use the up/down buttons to scroll through the list.

*Note: In the downloadable software you can find information about thread manufacturers and thread type abbreviations. See page 24.*

Press the Embroidery Info button once more to close the information view.



## ADJUST DESIGNS

There are many options to adjust your designs. Always adjust before starting to stitch-out. The settings are shown on the GraphicDisplay. If you change the numbers for width and height the figures will be inverted on a black background. The changes are also visible on the GraphicDisplay.

### DESIGN HEIGHT (1)

You can increase or decrease the size of the design up to 20%. Increase or decrease the design height using the + and - buttons below the setting displayed on the GraphicDisplay. The design height is scaled 5% each time you press the button. The stitch count remains the same.

### DESIGN WIDTH (2)

You can increase or decrease the size of the design up to 20%. Increase or decrease the design width using the + and - buttons below the setting displayed on the GraphicDisplay. The design width is scaled 5% each time you press the button. The stitch count remains the same.

*Note: You can Resize the design in the Embroidery Software (sold separately).*

### MOVING DESIGNS TO POSITION (3)

Place your design anywhere in the embroidery area using the arrow buttons (A). The numbers to the right of the Design position icons on the GraphicDisplay show in millimeters how much the design has been moved vertically and horizontally from its original center position.

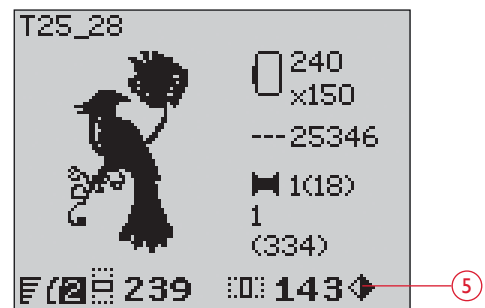
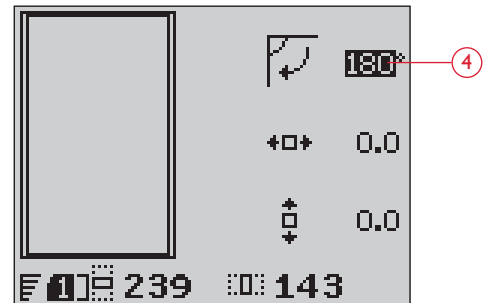
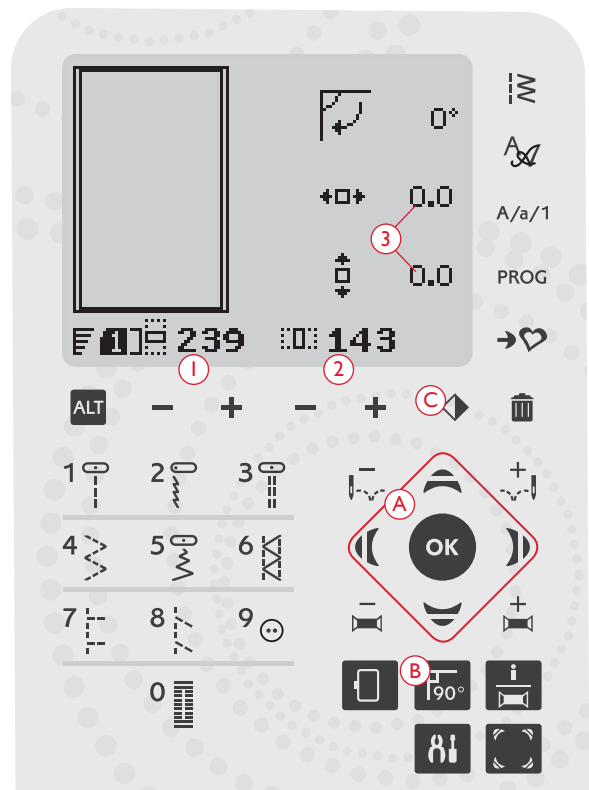
### ROTATE (4)

You can rotate the design around its center point. Each time you press the Rotate button (B), the design will rotate 90 degrees clockwise. To the right of the rotate icon on the GraphicDisplay you can see how many degrees the design has rotated from its original position.

*Note: Some designs are too large to rotate 90 degrees. Each press of the button will then rotate the design 180 degrees.*

### MIRROR SIDE TO SIDE (5)

Press the Mirror Side to Side button (C) to mirror the loaded design side to side. An icon is shown on the GraphicDisplay indicating that Mirror Side to Side is selected (5).



*Embroidery Mode, Stitch-out view*

## HOOP OPTIONS

Press the Hoop Options button (A) to open a list of Hoop options. Use the up/down arrow buttons to make a selection and confirm by pressing the OK button. Close the Hoop Options Menu by pressing the Hoop Options button once more or select the Current Stitch position.

### HOOP SIZE

When a design is loaded to the embroidery field the smallest hoop that fits the design is automatically selected.

Use the right arrow button to open a list of available hoop sizes, including hoops that are available to purchase from your authorized retailer. Depending on the size of the design, some hoops may not be available for selection.

If you have set the hoops that you own in the My Hoops list in the SET Menu your machine will select the most suitable hoop among the hoops that you have set. Only the hoops that you have set will be available in the Hoop list, see page 32.

Use the up and down arrow buttons to select a different hoop and confirm your selection by pressing the OK button.

*Note: If you start embroidering and the hoop you have selected is not the same as the hoop attached to the embroidery unit, a pop-up message will appear to inform you of this. Attach the correct hoop or select another hoop in the list.*

### CURRENT STITCH

If you have selected one of the hoop positions and want to return to the current stitch and start embroidering where the embroidery was interrupted, select Current Stitch. You can also press the Start/Stop button once to return to current stitch and start to embroider.

### PARK POSITION

When you have finished your embroidery, remove the hoop and select Park Position. The embroidery arm will be placed in a position that will allow easy storage.

*Note: It is very important that the hoop is removed, otherwise the hoop, needle or presser foot may be damaged.*

### BOBBIN POSITION

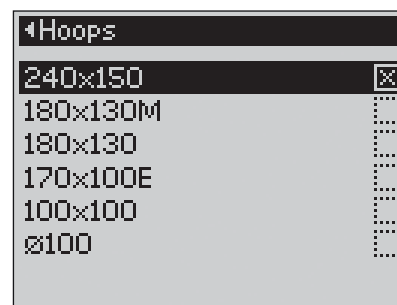
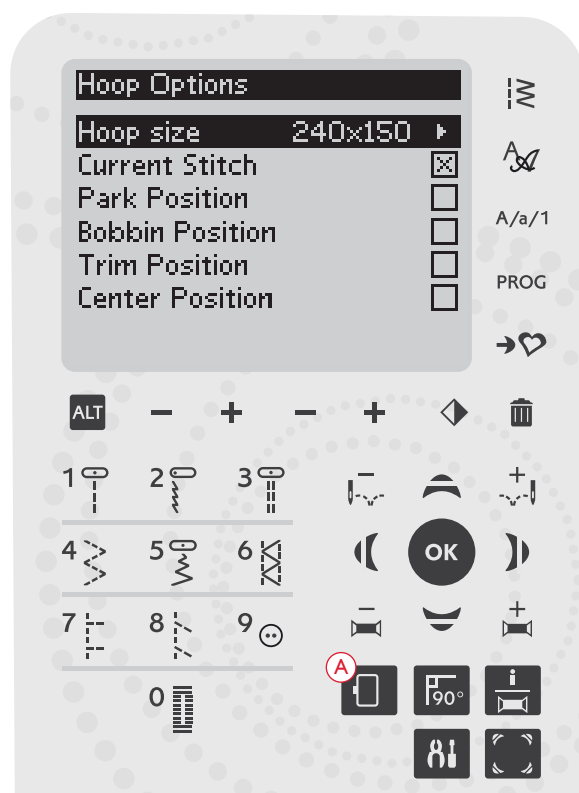
To make it easier to change the bobbin, select Bobbin Position. The hoop will move away from you, allowing you to open the bobbin cover and replace the bobbin.

### TRIM POSITION

Trim Position will move the hoop towards you, making it easier to cut jump stitches and trim fabric.

### CENTER POSITION

Use the Center Position if you want to check where the Center Position of the hoop will be placed on the fabric.

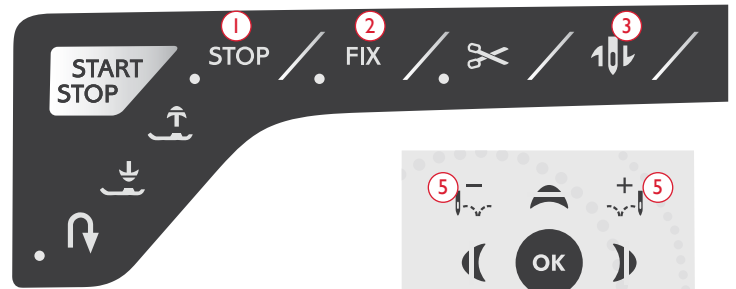


## EMBROIDERY FUNCTIONS

### ONE-COLOR EMBROIDERY (MONOCHROME)

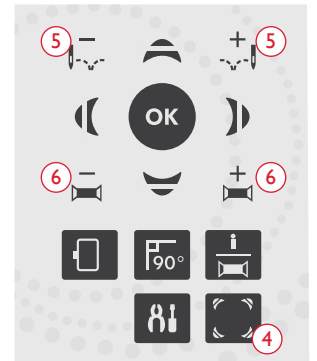
Press STOP (1) to cancel the color stops if you want to sew a design in one color only.

*Note: If the Automatic Jump Stitch Trim function is activated in the SET Menu it will still be active between the color blocks.*



### BASTING

Press the FIX button (2) and the machine will add a basting stitch around the design area. Basting enables you to secure your fabric to a stabilizer placed beneath. It is especially useful when the fabric to be embroidered cannot be hooped. Basting provides support for stretchy fabric and also shows where the design will be placed on the fabric.

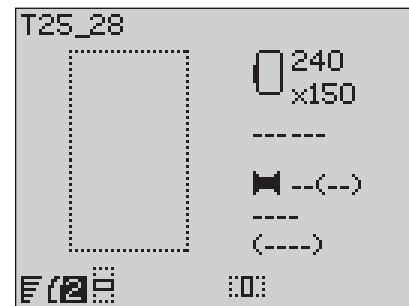


### PARK POSITION/TRIM POSITION

Remove the hoop and press the Needle Stop Up/Down button (3) to put the embroidery unit in Park Position for easy storage.

Press the Needle Stop Up/Down button when the hoop is attached and the hoop moves towards you, making it easy to cut jump stitches or trim fabric. Cut the jump threads and press the button again. The hoop moves back to the current stitch. Press Start/Stop to resume the embroidery.

*Note: The Hoop Options menu will open to show the actual position.*

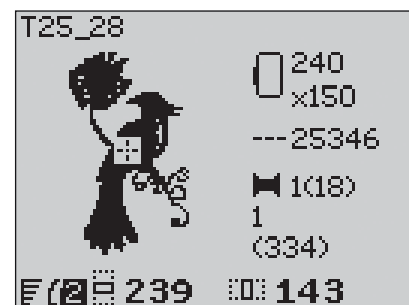


*Basting*

### CORNER CHECK

Corner check can be used to trace the four corners of the design. Press the Corner check button (4). Each time you press the button the hoop will move to one of the corners in the following order: upper left, upper right, lower right and lower left. On the fifth press the hoop will move to the center position of the design and on the sixth press back to the current stitch position. A crosshair will indicate the current needle position on the GraphicDisplay.

The Corner check function also shows where the design will be embroidered on the fabric. This makes it easier to position designs when embroidering several designs in succession.



*Corner Check*

### STEP STITCH-BY-STITCH

Use the Step Stitch-by-Stitch – and + buttons (5) to step through the design stitch by stitch. If the top or bobbin thread runs out or is broken, step backwards a few stitches before starting to embroider again. Current stitch number is shown on the GraphicDisplay in the Stitch-out view.

### STEP COLOR-BY-COLOR

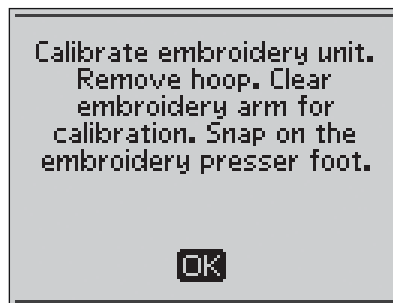
Use the Step Color-by-Color – and + buttons (6) to step to the first stitch of the previous or next color. The current color block number is shown, next to the total number of color blocks in the design, shown in brackets, in the Stitch-out view on the GraphicDisplay. Press the Embroidery Info button to view the complete color block list.

## EMBROIDERY POP-UP MESSAGES

### Embroidery unit calibration

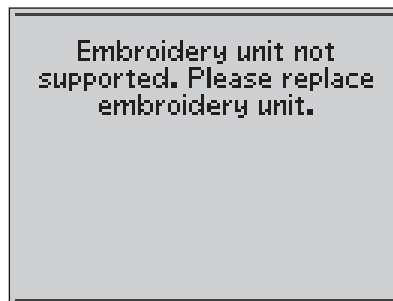
When the embroidery unit is attached, a pop-up message asks you to slide off the hoop and clear the machine area for calibrating the embroidery arm. You will also be reminded to snap on the R foot for embroidery. Press the OK button to calibrate.

*Note: It is very important to remove the hoop, otherwise the hoop or the embroidery unit may be damaged while calibrating.*



### Embroidery unit not supported. Please replace embroidery unit.

You can only use the type of embroidery unit that is delivered with your machine. Attach the correct embroidery unit.



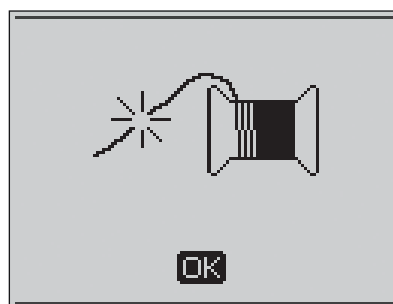
### Attach correct hoop

When the size of the hoop on the machine does not match the size displayed on the GraphicDisplay, your machine will not sew. Change the hoop to the size displayed or change the setting for hoop size to match your selected hoop, see page 72.



### Check upper thread

Your machine stops automatically if the top thread runs out or breaks. Re-thread the top thread and close the pop-up message by pressing the OK button. Press the Start/Stop button to continue.



### Cut thread end

When starting to embroider or after changing the thread, the machine will sew a few stitches and then stop so you can cut the thread end.

*Note: This function is cancelled if "Automatic Jump Stitch Trim" is activated in the SET Menu, see page 32.*

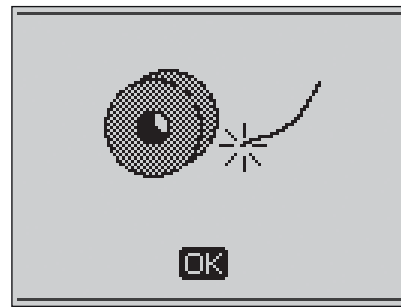


## Bobbin thread low

When the bobbin thread is running low, a pop-up message appears giving you an advanced notice that you'll soon need to change the bobbin. This gives you an opportunity to plan when you want to change your bobbin. If you want to continue embroidering just touch the Start/Stop button or the foot control without pressing the OK button.

When changing the bobbin, press the OK button to close the pop-up and select Bobbin Position in the Hoop Options Menu. The hoop will move away for easy access to the bobbin case. Once the bobbin is replaced select Current Stitch in the Hoop Options Menu to move the hoop back to where the embroidery stopped.

Pull back excess top thread. Step back a few stitches by pressing the Step Stitch-by-Stitch – button. Press Start/Stop to resume the embroidery.



## Change thread color

When it is time to change the needle thread the machine stops and the upper thread is cut. Change the spool and re-thread the machine. The next recommended color is shown in the pop-up message.



## Design includes elements that cannot be opened

Some designs may contain data that is too complex for this embroidery machine. Please use the downloadable software to re-save the design, see page 24.



## Remove the hoop

This pop-up will appear when a function has been chosen that forces the embroidery unit to move outside the limits for the attached hoop. In order for the embroidery arm to move freely, remove the hoop and then press the OK button.



## Connect USB embroidery stick

If you attach the embroidery unit or press the Stitch Menu button in Embroidery Mode without having a USB stick connected, this pop-up message will appear. Connect a USB stick and press the OK button so that you can load a design. This pop-up message also appears if the USB stick is removed while a design is being loaded or stitched out.



## The data on the USB embroidery stick is not readable

This pop-up message will appear when your sewing machine can not access the information on the USB embroidery stick. The USB stick could be damaged or you might be using a USB stick that is non-compatible with the sewing machine. Press the OK button to close the pop-up message.



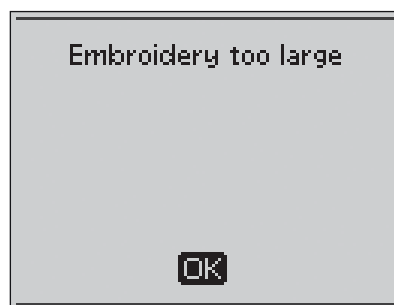
## Embroidery finished

A pop-up message informs you when the embroidery is finished. Press the OK button to close the pop-up message.



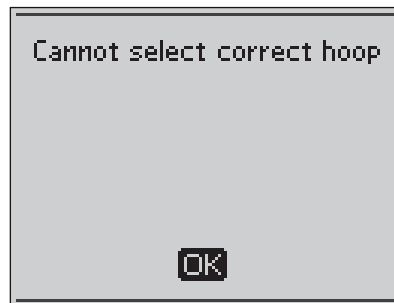
## Embroidery too large

This pop-up message appears if the design you are trying to load is too large to be sewn on your machine. Press the OK button to close the pop-up and select another design.



## Cannot select correct hoop

If you are trying to load a design that is too large for the selectable hoops this pop-up message will appear. If you have set the hoops that you own in the My Hoops list in the SET Menu you will not be able to load designs that are too large to fit in the hoops that you have set. Make sure that you have selected the correct hoops in the My Hoops list or load another design.



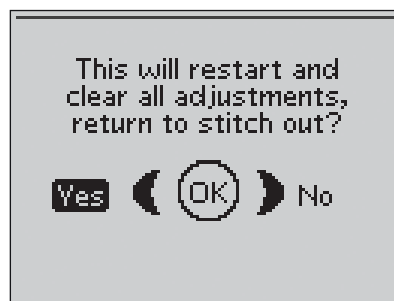
## Stop command in design

Your machine stops automatically for you to trim the fabric on cut work, applique etc. See explanation for each design in the Embroidery Sampler Booklet.



## This will restart and clear all adjustments, return to stitch out?

This pop-up message will appear if you press the PROG button in Embroidery Mode to go back to the text editor and change an existing embroidery text. If you select "No" the text editor will open and all your adjustments made in Embroidery Mode will be cancelled. If you select "Yes" you will return to Embroidery Mode and all your adjustments will be kept. Use the arrow buttons to select "Yes" or "No" and press the OK button.



## TAKING CARE OF YOUR MACHINE

In this section you will find information about how to take care of your machine and also a troubleshooting guide.





## TROUBLE SHOOTING

### Any time you experience a problem when sewing:

- Select correct type and weight of fabric in the Exclusive SEWING ADVISOR™ feature.
- Insert needle size and type as recommended on the GraphicDisplay.
- Rethread the top and bobbin threads.
- Use different spool pin positions (vertical or horizontal).
- Use thread nets and quality thread. We recommend the same sewing thread on top and bobbin for general sewing. For decorative sewing and embroidery we recommend embroidery thread on top and bobbin thread on bobbin.

### If You Experience Problems when Using the Sensor One-Step Buttonhole Foot:

- Make sure the white area on the side of the wheel is lined up with the white marking line on the foot.
- Check to insure that the cord to the Sensor One-Step Buttonhole Foot is properly plugged into the socket above the needle area.

### Fabric Puckers?

- Select correct type and weight of fabric in the Exclusive SEWING ADVISOR™ feature.
- Check needle, it could be damaged.
- Insert needle size and type as recommended on the GraphicDisplay.
- Rethread top and bobbin threads.
- Change thread type to match fabric and sewing technique.
- Use quality thread.
- Shorten stitch length.
- Use stabilizer.
- Check your thread tension.

### Skipped Stitches?

- Check needle - it could be damaged.
- Change needle to recommended size and type.
- Be sure the needle is inserted correctly all the way into the clamp.
- Rethread top and bobbin threads.
- Use recommended presser foot.
- Turn machine off and on to reset.
- Is the fabric moving up and down with the needle when free-motion sewing or embroidering? Reduce the presser foot pivot height in the settings menu.
- Consult your Authorized HUSQVARNA VIKING® retailer for service.

### Needle Breaks?

- Use care not to pull fabric when sewing.
- Insert needle size and type as recommended on the GraphicDisplay.
- Insert needle correctly as described in this User's Guide.

### Poor Tension?

- Enter fabric weight and type in the Exclusive SEWING ADVISOR™ feature.
- Rethread top and bobbin - use quality thread.
- Insert needle size and type as recommended on the GraphicDisplay.
- Turn machine off and on to reset automatic tension.
- Follow recommendations for stabilizer.

### Upper Thread Breaks?

- Does thread feed smoothly/not catching?
- Use thread nets and quality thread. For special threads such as metallic etc. please consult your Accessory User's Guide ([www.husqvarnaviking.com](http://www.husqvarnaviking.com)) for special needle recommendations.
- Rethread top and bobbin threads - check for correct threading. When using embroidery thread on top, you should use bobbin thread in the bobbin, not regular sewing thread.
- Insert needle size and type as recommended on the GraphicDisplay.
- Turn the machine off and on to reset automatic tension.
- Try different spool pin positions (horizontal or vertical).
- If stitch plate hole is damaged, replace stitch plate.
- Is the correct spool cap used in front of the thread?

### Fabric Does Not Move?

- Make sure machine is not set to Free Motion in the SET Menu.
- Increase stitch length.
- Be sure the feed teeth are in the up position.

### Bobbin Thread Breaks?

- Wind a new bobbin.
- Replace the bobbin in the machine, check correct threading.
- If stitch plate hole is damaged - replace stitch plate.
- Clean bobbin area.

### Bobbin Winds Irregularly?

- Check threading for bobbin winding.



### **Bobbin alarm does not work?**

- Clean lint from bobbin area.
- Use only original HUSQVARNA VIKING® bobbins approved for this model.

### **Thread cutter does not cut?**

- Remove stitch plate and clean lint from bobbin area.
- Make sure Selective Thread Cutter Auto is turned on in the SET Menu.

### **Wrong Stitch, Irregular or Narrow Stitches?**

- Cancel twin needle or stitch width safety in the SET Menu.
- Turn machine off and on to reset.
- Change needle, rethread top and bobbin threads.
- Use stabilizer.

### **Machine Sews Slowly?**

- Check speed.
- Remove stitch plate and brush lint from bobbin and teeth area.
- Check the foot control.
- Have your sewing machine serviced at your authorized HUSQVARNA VIKING® retailer.

### **Machine Will Not Sew?**

- Put bobbin winder spindle to the left into sewing position.
- Check plugs are securely plugged all the way into the machine.
- Check wall plug and power to wall plug.
- Check foot control connection.

### **Embroidery puckers?**

- Use correct stabilizer - see Accessory User's Guide ([www.husqvarnaviking.com](http://www.husqvarnaviking.com)).
- Hoop fabric tightly as described on page 64.

### **Thread loops are forming on the underside of the embroidery design?**

- Has the embroidery built up too much to move freely under the embroidery foot? Increase the pivot height in the Settings menu in small steps until problem is solved.

### **Machine will not embroider?**

- Push embroidery unit firmly into machine socket.
- Slide on the correct hoop.

### **The sewing and embroidery machine function buttons do not respond to touch?**

- The sockets and function buttons on the machine can be sensitive to static electricity. If the function buttons do not respond to touch, turn the machine off and then on again. If the problem persists, contact your authorized HUSQVARNA VIKING® retailer.

### **Have your sewing machine serviced regularly by your authorized HUSQVARNA VIKING® Retailer!**

If you have followed this trouble shooting information and still have sewing problems, take the sewing machine to your authorized HUSQVARNA VIKING® retailer. If there is a specific problem, it is a great help to test sew with your thread on a scrap of your sewing fabric and bring it to your authorized HUSQVARNA VIKING® retailer. A sewing sample will often give much better information than words.

### **Non-Original Parts and Accessories**

The warranty does not cover any defect or damage caused by use of non-original accessories or parts.

# INDEX

## A

Accessories .....	5
Accessory box .....	5, 13
Add commands .....	40
Add letters in an embroidery font program.....	69
Add letters in a stitch program .....	39
Adjust a single stitch or letter.....	40
Adjust designs.....	71
Adjustments .....	37
Adjust the entire stitch program.....	41
Adjust white area to white line.....	44
Alarm .....	32
ALT (Alternate View).....	28
Arrows .....	29
Attach correct hoop.....	74
Attach the embroidery foot R.....	63
Audible Alarm .....	32
Automatic Jump Stitch Trim .....	32, 74
Auxiliary spool pin.....	4, 14, 17

## B

Bartack .....	57
Baste.....	26, 37, 51, 73
Blind hem .....	37, 51
Blind Hem Foot D.....	6
Block .....	10, 35
Bobbin .....	18
Bobbin Area, cleaning.....	78
Bobbin cover.....	4, 19
Bobbin, inserting.....	19
Bobbin Position.....	72
Bobbins.....	5
Bobbin spindle.....	4, 18, 19
Bobbin stop.....	4
Bobbin thread low .....	44, 75
Bobbin winding.....	18
Bobbin winding on .....	43
Brush.....	5
Built-In USB port.....	4
Buttonhole.....	37
Buttonhole Balance.....	32
Buttonhole Foot C.....	6
Buttonholes.....	53–54
Button reed .....	5

## C

Calibrate embroidery unit.....	74
Cannot select correct hoop .....	76
Carrying Case.....	6
Center Position.....	72
Change thread color .....	75
Changing the Needle .....	21
Changing the presser foot.....	21
Check upper thread.....	45, 74
Cleaning the machine .....	78

Color block list .....	70
Commands .....	40
Commands removed from program.....	46
Complimentary software.....	24
Connecting the foot control cord.....	12
Connectors for power cord and foot control.....	4
Connect the embroidery unit .....	63
Connect the power cord and foot control .....	12
Connect USB embroidery stick .....	75
Contrast .....	32
Corded Buttonhole .....	54
Corner Check.....	29, 73
Crazy Quilt Stitching .....	58
Create a stitch program .....	39
Current Stitch .....	72
Current view .....	68
Cursor .....	40, 69
Cut thread end.....	74
Cutting the thread .....	16
Cyrillic.....	10, 35

## D

Darning and Mending .....	57
Darning Foot R .....	7
Decorative stitches.....	35
Delete.....	28
Delete? .....	46
Delete a letter.....	70
Delete program?.....	46
Delete saved stitches or programs.....	42
Delete stitches or letters.....	40
Denim needle.....	22
Design height.....	28, 68, 71
Design includes elements that cannot be opened.....	75
Design name .....	68, 70
Design preview .....	68
Design rotation.....	68
Designs .....	62
Design width.....	28, 68, 71
Drop feed teeth switch.....	4

## E

Edging Foot J.....	6
Edit view.....	68
Embroidery arm.....	5, 62
Embroidery/Darning Foot R .....	7
Embroidery field .....	68
Embroidery finished.....	76
Embroidery fonts.....	24
Embroidery foot R, attach.....	63
Embroidery functions .....	73
Embroidery Hoop .....	5
Embroidery hoop attachment.....	5, 62
Embroidery hoop overview .....	62
Embroidery Info button .....	29, 70
Embroidery information.....	70
Embroidery Mode overview .....	68

Embroidery set up .....	61–66
Embroidery speed.....	68
Embroidery thread.....	6
Embroidery too large .....	76
Embroidery unit calibration .....	74
Embroidery unit, connect.....	63
Embroidery unit connection socket.....	4
Embroidery unit not supported. Please replace embroidery unit.....	74
Embroidery unit overview.....	5, 62
Embroidery unit release button.....	5, 62
Embroidery unit, remove.....	63
Embroidery unit socket.....	5, 62
EXCLUSIVE SENSOR SYSTEM™ .....	27
Exclusive SEWING ADVISOR™ .....	29, 36–37, 48–53
Extra Lift .....	27

## F

Fabric .....	6
Fabric selection.....	37
Feed teeth .....	21
Felt pad .....	5, 14, 17
FIX .....	26, 40
FIX Auto .....	31
Font Menu.....	28, 35
Fonts .....	10
Foot control .....	6
Foot control, connect.....	12
Foot control cord, connecting .....	12
Free arm .....	4, 13
Free Motion Floating.....	31
Free Motion Quilting.....	58
Free Motion Spring Action.....	31
Function Buttons .....	26
Function Panel.....	4, 28
Functions On The Touch Panel .....	28

## G

Glide Sole.....	7
GraphicDisplay.....	4, 34, 68

## H

Handle.....	4
Hand-look Quilting.....	58
Handwheel .....	4
Heirloom stitches .....	35
Hem.....	37, 52
Hiragana .....	10, 35
Hoop options.....	29, 72
Hoops .....	32
Hoop size .....	72
Hoop, slide on/off .....	64
Hoop the fabric.....	64
Horizontal Position.....	14

## I

Inserting the bobbin .....	19
Installation Code .....	24
Installation instructions.....	24

## J

Japanese font.....	10
Jeans Hem .....	52
Jump Stitch Trim, Automatic .....	32

## K

Knit fabrics .....	36
--------------------	----

## L

Language.....	32
Leather .....	36, 37
LED-lights .....	4
Level adjustment feet.....	5, 62
Lid.....	4
Load a design.....	28, 69
Load a font.....	69
Load a saved stitch or program .....	42
Load text to embroidery .....	70
Lower feed teeth switch .....	4
Lower the feed teeth.....	21
Lower the presser foot .....	27

## M

Machine overview .....	4
Machine set for free motion sewing.....	44
Machine set for straight stitch.....	43
Machine set for twin needle .....	43
Main motor overload.....	45
Main spool pin.....	14
Maintenance.....	78
Manual Buttonhole .....	54
Memories.....	42
Metallic threads.....	17
Mirror Side to Side.....	28, 38, 71
Monochrome .....	26, 73
Move the cursor .....	40
Moving designs to position .....	71
Multipurpose tool .....	5
My Hoops.....	32
My Stitches .....	28, 35, 37, 39, 41, 42

## N

Navigator Arrows .....	29
Needle bar .....	4
Needle, changing .....	21
Needle clamp screw .....	4, 21
Needle Position .....	28, 38
Needles .....	6, 22
Needle Stop Up/Down .....	26
Needle threader .....	4, 16

## O

Oiling	78
OK	29
One-Color Embroidery	73
ON/OFF switch	4
Overcast	37, 49
Overview	4–10
Embroidery hoop	62
Embroidery mode	68
Embroidery unit	62
Machine	4
Sewing mode	34
Stitches	10
Overwrite?	46

## P

Packing away after sewing	13
Park Position	72, 73
PC	24
Perfectly Balanced Sensor One-Step Buttonhole	53
Personal stitches	28
PICTOGRAM™ Pen	23
Pivot	27
Pivot height	30
Pop-up messages, embroidery	74
Pop-up messages, sewing	43
Power cord	6
Power cord, connect	12
Presser bar	4
Presser Feet	6
Presser foot	4
Presser foot ankle	4
Presser foot, changing	21
Presser foot pressure	30
Presser foot too high	43
Pre-tension thread guide	4, 15
PROG (Program Mode)	28
Programming	39–41
Programming letters	39–41
Program too long to add more stitches	45

## Q

Q-foot	63
QuickFont program	24
Quilting	58
Quilt stitches	35

## R

Raise the presser foot	27
Remove the embroidery unit	63
Remove the hoop	75
Remove thread from under stitch plate and in bobbin area	45
Replacing the Stitch Plate	78
Restart the buttonhole?	44
Reverse	27
Rotate design	29, 71
Russian font	10

## S

Safety instructions	2
Sampler Book	6, 62
Satin stitches	35
Save a stitch or a program	42
Save to My Stitches	28
Screwdriver	5, 21
Seam	37, 48
Seam/Overcast	37, 50
Seam ripper	5
Selecting a font	35
Selecting a stitch	35
Selective Thread Cut	40
Selective Thread Cutter	26
Selective Thread Cutter Auto	31
Sensor Foot Auto	30
Sensor Foot Down and Pivot	27
Sensor Foot Up and Extra Lift	27
Sensor One-Step Buttonhole	53
Sensor One-Step Buttonhole Foot	7, 44, 53
Sensor One-Step Buttonhole Foot socket	4
Sensor One-Step Buttonhole Presser Foot connected	44
Sensor Q-foot	31, 63
SET Menu	29, 30
Settings	37
SEWING ADVISOR™	36–37, 48–53
Sewing buttonholes	53–54
Sewing on buttons	55
Sewing technique	37
Sewing techniques	47–60, 48–60
Sew out the stitch program	41
Slide on/off the hoop	64
Smocking Stitches	60
Software, complimentary	24
Software to download	6
Software Version	32
Specialty Stitches	59
Specialty threads	17
Speed + and -	27
Spool cap, large	5, 14
Spool cap, medium	5, 14
Spool caps	4, 14
Spool cap, small	5, 14
Spool pin	4
Spool pin, auxiliary	4
Spool pins	14
Stabilizer	6
Stabilizers	23
Start/Stop	26
Step Color-by-Color	29, 73
Step Stitch-by-Stitch	29, 73
Stitch adjustments	37
Stitch Density	28, 38
Stitch Length	28, 37
Stitch Menu	28, 35
Stitch-out view	68
Stitch overview	4, 10
Stitch plate	4

Stitch Plate, replacing .....	78
Stitch program, adjust .....	41
Stitch Selection buttons.....	29, 35
Stitch Settings .....	37
Stitch table, Utility Stitches .....	8
Stitch Width .....	28, 37
Stitch width limited for twin needle.....	43
Stitch Width Safety .....	31
STOP .....	26, 40
Stop command in design.....	76
Stretch fabrics .....	36
Stretch heavy .....	37
Stretch Hem .....	52
Stretch light .....	37
Stretch medium .....	37
Stretch Needle .....	22
Synthetic material .....	36

## T

Take-up lever.....	4, 15
The combination of commands is incorrect.....	46
The data on the USB embroidery stick is not readable .....	76
The stitch cannot be programmed .....	45
The stitch cannot be saved .....	45
This stitch cannot be sewn with Stitch Width Safety on .....	44
This stitch cannot be sewn with twin needle.....	43
This will restart and clear all adjustments, return to stitch out?.....	76
Thread cutter .....	4, 16
Thread cutter for bobbin thread.....	4
Thread Cutter, Selective .....	26
Thread guide .....	15
Threading for twin needle .....	17
Threading the upper thread.....	15
Thread manufacturers .....	70
Thread net .....	5
Threads .....	23
Thread Sensor.....	20
Thread take-up lever.....	4
Thread tension.....	20, 30
Thread tension discs .....	4, 15, 17
Thread tension for bobbin winding.....	4
Touch Panel.....	4, 28
Trim Position .....	26, 72, 73
Trouble shooting.....	79
Twin needle .....	22, 31
Twin needle, threading .....	17

## U

Universal Needle .....	22
Unpacking .....	12
Updating instructions .....	24
Upper thread breakage .....	45, 74
Upper thread breaks .....	20
USB embroidery stick.....	5, 13
USB port.....	4, 13
Utility Foot A.....	6
Utility Foot B.....	6
Utility stitches .....	35

## V

Vertical position.....	14, 17
Vinyl.....	36, 37

## W

Warranty card.....	6
Winding the bobbin using the auxiliary spool pin .....	19
Winding the bobbin using the vertical spool pin .....	18
Winding the bobbin with the machine threaded.....	18
Woven fabrics .....	36
Woven heavy .....	37
Woven light .....	37
Woven medium.....	37

## Z

Zipper Foot E.....	6
Zippers.....	56

You have purchased a modern, updatable sewing and embroidery machine. As we regularly release software updates, it is possible that there may be some differences between the machine software and the software described in the User's Guide. Consult your local Authorized HUSQVARNA VIKING® retailer, and be sure to visit our website at [www.husqvarnaviking.com](http://www.husqvarnaviking.com) for the latest updates of the software and the User's Guide.

We reserve the right to change the machine equipment and the assortment of accessories without prior notice, or make modifications to the performance or design. Such modifications, however, will always be to the benefit of the user and the product.

## INTELLECTUAL PROPERTY

Patents protecting this product are listed on a label positioned underneath the sewing machine.

VIKING, KEEPING THE WORLD SEWING & Design, DESIGNER, DESIGNER TOPAZ, SEWING ADVISOR, PICTOGRAM and EXCLUSIVE SENSOR SYSTEM are trademarks of KSIN Luxembourg II, S.ar.l.

HUSQVARNA and the “crowned H-mark” are trademarks of Husqvarna AB. All trademarks are used under license by VSM Group AB.



Please note that on disposal, this product must be safely recycled in accordance with relevant National legislation relating to electrical/electronic products. Do not dispose of electrical appliances as unsorted municipal waste, use separate collection facilities. Contact your local government for information regarding the collection systems available. When replacing old appliances with new ones, the retailer may be legally obligated to take back your old appliance for disposal free of charge.

If electrical appliances are disposed of in landfills or dumps, hazardous substances can leak into the groundwater and get into the food chain, damaging your health and well-being.

CE - Authorised Representative

VSM Group AB, **SVP Worldwide**  
Drottninggatan 2, SE-56184, Huskvarna, SWEDEN



[www.husqvarnaviking.com](http://www.husqvarnaviking.com)