



# M8060

16 PIECES/PIEZAS

Easy  
Facile  
Fácil

MISSES' DRESSES with A/B, C, D cup sizes.

**Suggested Fabrics:** Medium weight woven fabrics such as: Cotton Blends, Crepe de Chine, Challis, Georgette. **Lining** in Lining Fabrics, Cotton Blends.

Sizes	6	8	10	12	14	16	18	20	22	
<b>A</b>										
45"***	2½	2½	2½	2½	2½	2½	2⅝	2⅝	2⅝	Yd
60"***	1⅞	1⅞	1⅞	1⅞	1⅞	1⅞	1⅞	1⅞	2	"
<b>B</b>										
45"***	2¾	2¾	2¾	2¾	3	3	3⅛	3⅛	3¼	Yd
60"***	2¼	2¼	2¼	2¼	2¼	2¼	2⅜	2⅜	2⅝	"
<b>C</b>										
45"***	2⅞	2⅞	2⅞	3	3	3⅞	3⅞	3¼	3¼	Yd
60"***	2¼	2¼	2¼	2¼	2¼	2⅜	2½	2⅝	2⅝	"
<b>Contrast C</b>										
45"***	2⅜	2⅜	2⅜	2⅜	2⅜	2⅜	2¾	2¾	2¾	Yd
60"***	2⅞	2⅞	2⅞	2⅞	2⅞	2⅞	2¼	2¼	2¼	"
<b>D</b>										
45"***	- 5 yds.									
60"***	- 3¾ yds.									

**Lining A,B,C,D**

45"***	¾	¾	¾	⅞	⅞	⅞	1	1	1	Yd
--------	---	---	---	---	---	---	---	---	---	----

## FINISHED GARMENT MEASUREMENTS

**Back length from base of neck:**

	6	8	10	12	14	16	18	20	22	In
<b>A</b>	36½	36¾	37	37¼	37½	37¾	38	38¼	38½	"
<b>B</b>	43½	43¾	44	44¼	44½	44¾	45	45¼	45½	"
<b>C,D</b>	57½	57¾	58	58¼	58½	58¾	59	59¼	59½	"

## ROBES POUR JEUNE FEMME/ VESTIDOS PARA JÓVENES Y SEÑORAS

Tailles/ Tallas	6	8	10	12	14	16	18	20	22
<b>Françaises</b>	34	36	38	40	42	44	46	48	50
<b>Europeas</b>	32	34	36	38	40	42	44	46	48

<b>A</b>										
115cm***	2.3	2.3	2.3	2.3	2.3	2.3	2.4	2.4	2.4	m
150cm***	1.8	1.8	1.8	1.8	1.8	1.8	1.8	1.8	1.9	"
<b>B</b>										
115cm***	2.6	2.6	2.6	2.6	2.8	2.8	2.9	2.9	3.0	m
150cm***	2.1	2.1	2.1	2.1	2.1	2.1	2.2	2.2	2.2	"
<b>C</b>										
115cm***	2.7	2.7	2.7	2.8	2.8	2.9	2.9	3.0	3.0	m
150cm***	2.1	2.1	2.1	2.1	2.1	2.2	2.3	2.4	2.4	"
<b>Contraste C</b>										
115cm***	2.2	2.2	2.2	2.2	2.2	2.2	2.6	2.6	2.6	m
150cm***	2.0	2.0	2.0	2.0	2.0	2.0	2.1	2.1	2.1	"

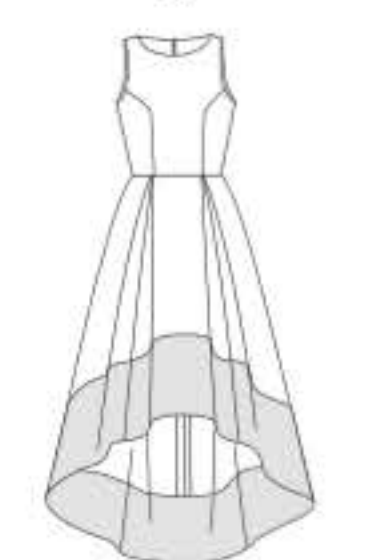
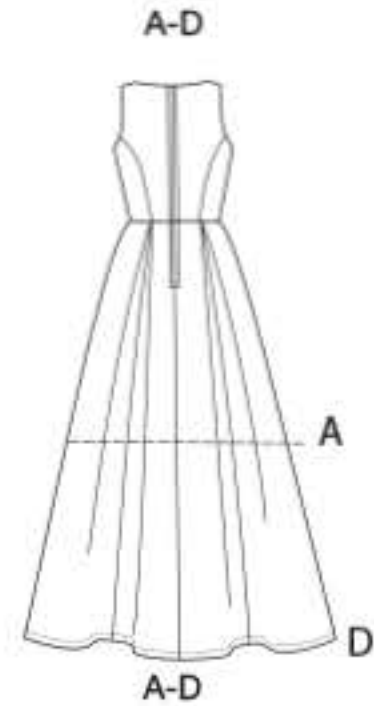
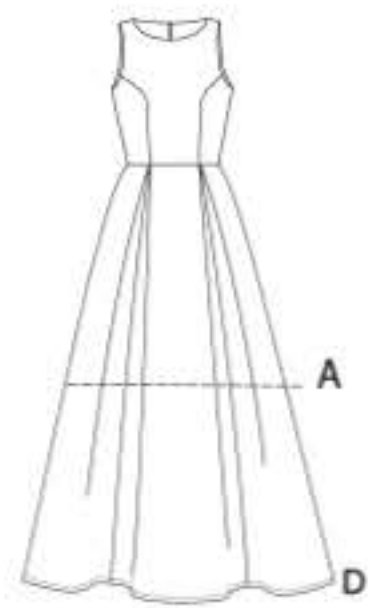
<b>D</b>										
115cm***	- 4.6m									
150cm***	- 3.5m									

**Doublure A,B,C,D/ Forro A,B,C,D**

115cm*	0.7	0.7	0.7	0.8	0.8	0.8	1.0	1.0	1.0	m
--------	-----	-----	-----	-----	-----	-----	-----	-----	-----	---

\*with nap \*\*without nap \*\*\*with or without nap  
\*con pelusa \*\*sin pelusa \*\*\*con o sin pelusa

\*avec sens \*\*sans sens \*\*\*avec ou sans sens



©2020 McCall's® a CSS Industries, Inc. brand, Berwick, PA 18603. All rights reserved. Trademarks Reg. U.S. Pat. & TM Off. Marca Registrada. Sold for individual home use only and not for commercial or manufacturing purposes. www.mccallpattern.com Reserve à un usage personnel. Utilisation commerciale ou industrielle strictement interdite.

MADE IN U.S.A. FABRIQUE AUX ETATS-UNIS.



M8060/A5

1



0